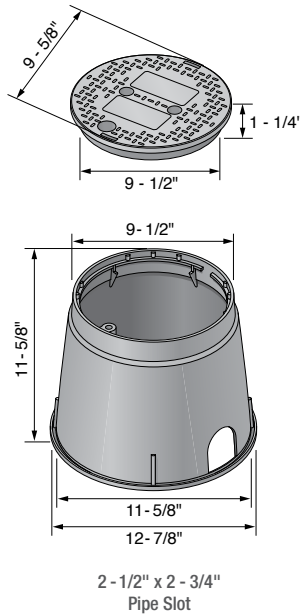


## NDS STANDARD SERIES VALVE BOXES – RESIDENTIAL/COMMERCIAL GRADE

### NDS Standard Series 10" Round Valve Boxes

**Specifications:** The NDS STANDARD SERIES 10" round body is tapered and has a minimum wall thickness of 0.200". The cover seat area has 6 structural support ribs on the underside of the seat, each with a minimum thickness of 0.250". The bottom of the body has a 0.500" flange. The 10" round cover has an average thickness of 0.250". The valve box has a 5/16" 304 Brass nut for the bolt-down as a standard feature.



Part No.	Description - Marking	Color (Box/Cover)	Pallet Qty.	Wt. Ea. lbs.	Product Class
<b>Box &amp; Cover</b>					
111BC	10" Round Box, Round Overlapping Cover - ICV	Black/Green	180	3.00	20ND
111BCB	10" Round Box, Round Overlapping Bolt-Down Cover - ICV	Black/Green	180	3.00	20ND
111BC CTN	10" Round ICV Box and Cover	Black/Green	72	3.90	20ND
111BC SAND	10" Round Box, Round Overlapping Cover - ICV	Sand/Sand	180	3.00	20ND
111BCR	10" Round Box, Round Overlapping Cover - Reclaimed Water	Black/Purple	180	3.00	20ND
111BCGR	10" Round ICV Box and Cover	Black/Green	180	3.00	20NM
111PBCR	10" Round Box, Round Overlapping Cover - Reclaimed Water	Purple/Purple	180	3.00	20ND
111BCW	10" Round Box, Round Overlapping Cover - Water	Black/Green	180	3.00	20NM
111BCS	10" Round Box, Overlapping Cover - Sewer	Black/Green	180	3.00	20NM
111BCBS	10" Round Box, Overlapping Bolt-Down Cover - Sewer	Black/Green	180	3.00	20NM
<b>Cover Only</b>					
111C	10" Round Overlapping Cover - ICV	Green	300	1.00	20ND
111C SAND	10" Round Overlapping Cover - ICV	Sand	300	1.00	20ND
111CR	10" Round Overlapping Cover - Reclaimed Water	Purple	300	1.00	20ND
111CE-GY	10" Round Overlapping Cover - Electrical	Gray	300	1.00	20NM
111CW	10" Round Overlapping Cover - Water	Green	300	1.00	20NM
111CS	10" Round Overlapping Cover - Sewer	Green	300	1.00	20NM
<b>Box Only</b>					
111B	10" Round Box	Black	180	2.00	20NM
111B SAND	10" Round Box	Sand	180	2.00	20ND
111PB	10" Round Box	Purple	180	2.00	20ND
111BB	1-1/4" x 5/16" SS Bolt	Steel	(Bag of 10)	0.10	20ND
112B	10" Round Box	Green	180	2.00	20ND