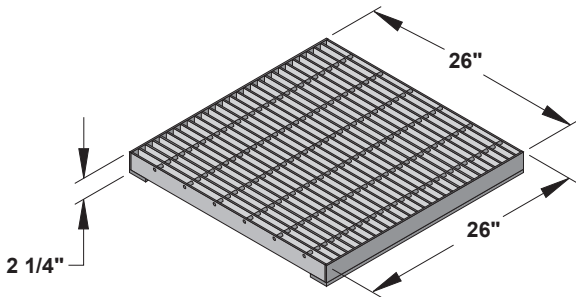


**2424 CAST IRON GRATE**

PARKWAY 112 lbs.

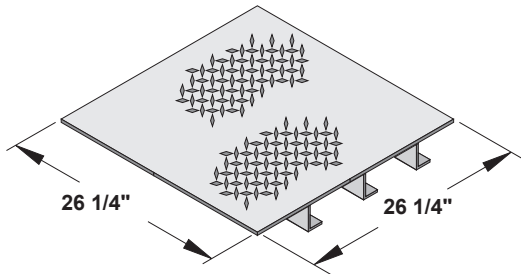
**2424 STEEL GRATES**

PARKWAY 48 lbs.  
TRAFFIC 103 lbs.

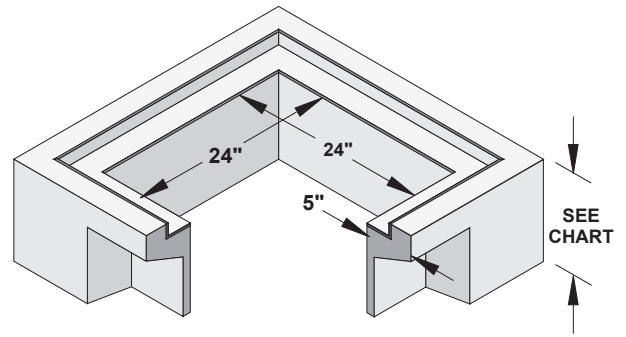


**2424 STEEL COVER**

PARKWAY 81 lbs.  
TRAFFIC 114 lbs.

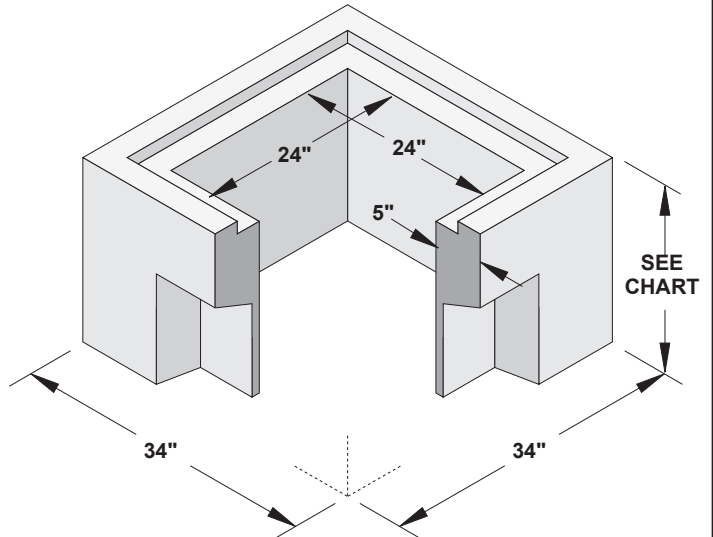


**2424 TOP SECTION (WITH GALVANIZED FRAME)**

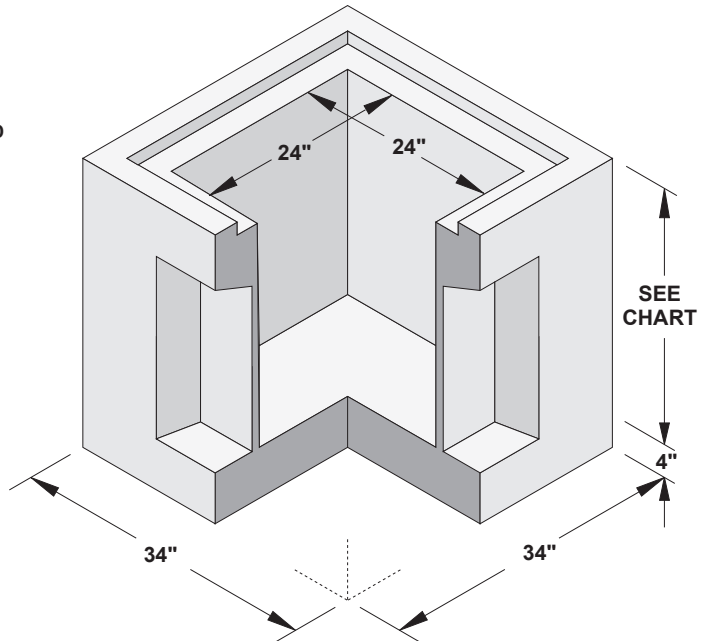


**2424 LOWER SECTION (NO FRAME)**

NOTE: USE 12", 18", 24" LOWERS TO INCREASE DEPTH UP TO A MAXIMUM OF 72"



**2424 BOTTOM SECTION (WITH OR WITHOUT FRAME)**



**NOTES:**

1. GRATES AND COVERS AVAILABLE PAINTED BLACK OR GALVANIZED
2. "ADA" GRATES AVAILABLE IN PARKWAY & TRAFFIC .
3. "HEEL PROOF" GRATES AVAILABLE IN PARKWAY ONLY
4. A TOP SECTION WITH FRAME MUST BE USED IF BOLT DOWN REQUIRED

TOP SECTION	HT.	LBS	KNOCK-OUTS
2424 T6	6"	270	NONE
2424 T12	12"	495	(4) 6" x 11"
2424 T18	18"	745	(4) 9" x 12"
2424 T24	24"	870	(4) 14" x 14"

EXTENSION SECTION	HT.	LBS	KNOCK-OUTS
2424 E6	6"	270	NONE

LOWER SECTION	HT.	LBS	KNOCK-OUTS
2424 L12	12"	495	(4) 6" x 11"
2424 L18	18"	745	(4) 9" x 12"
2424 L24	24"	870	(4) 14" x 14"

BOTTOM SECTION	HT.	LBS	KNOCK-OUTS
2424 B30	30"	1595	(4) 18" x 18"
2424 B36	36"	1905	(4) 18" x 18"

**24" x 24"  
CATCH BASIN**

ORG. DWG. DATE 11-23-99    REV. DWG. DATE 02-14-20

**BROOKS 2424 CB**