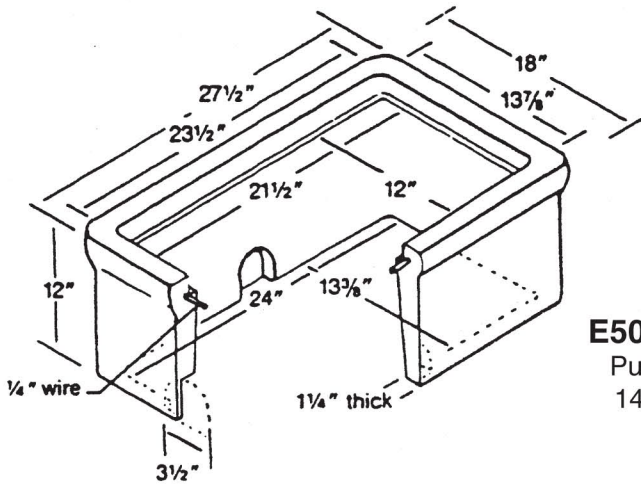
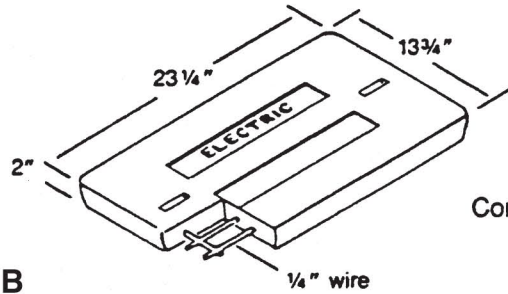


714 South Fee Ana St., Placentia, CA 92870  
 (714) 993-1706 • FAX (714) 993-6197

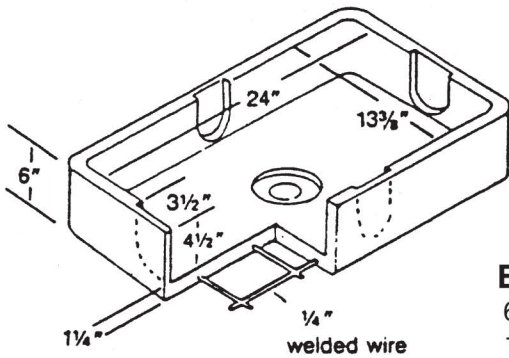
**5** (438) **Electrical Series**  
 13 3/8" x 24"



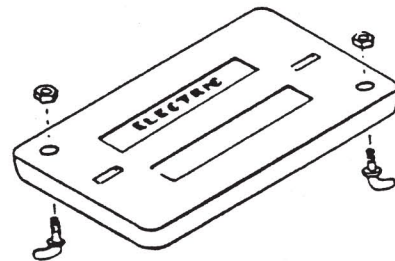
**E500PB**  
 Pull Box  
 145 lbs.



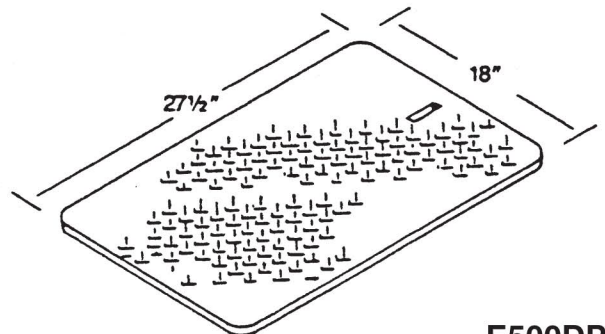
**E500NB**  
 Concrete Cover  
 Non Bolt  
 47 lbs.



**E500B**  
 6" Base  
 112 lbs.



**E500BD**  
 Concrete Cover  
 Bolt Down  
 47 lbs.



**E500DP**  
 1/4 Diamond Plate Traffic  
 Cover Bolt Down  
 41 lbs.

- STANDARD COVER MARKINGS:**
- Electric
  - Street Ltg.
  - Traffic Signal
  - Edison
  - Caltrans
  - Telephone
  - Cable T.V.
- SPECIAL MARKINGS ON REQUEST