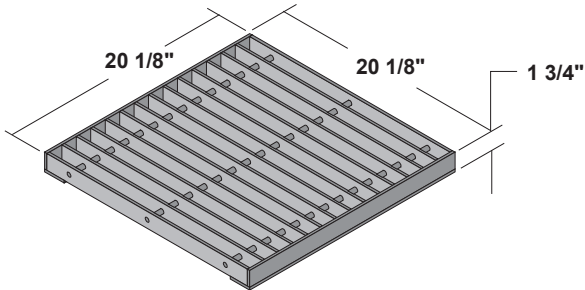


1818 CAST IRON GRATE

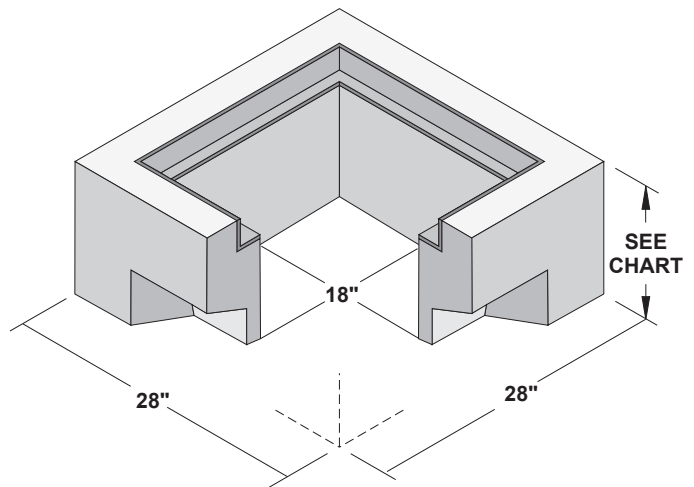
PARKWAY ONLY 58 lbs.

1818 STEEL GRATES

PARKWAY 27 lbs.
TRAFFIC. 49 lbs.

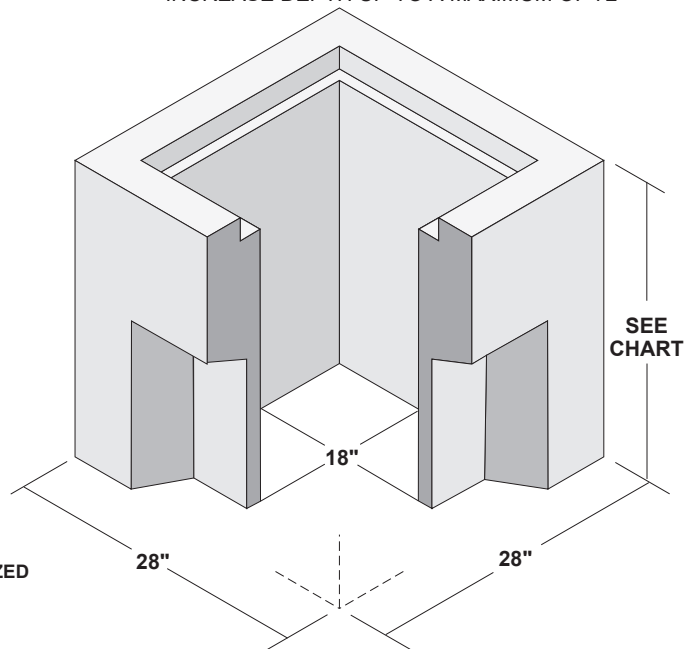


1818 TOP SECTION (WITH GALVANIZED FRAME)



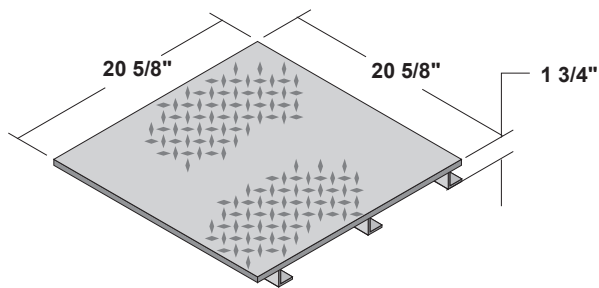
1818 LOWER SECTION (NO FRAME)

NOTE: USE 12", 18", 24" LOWERS TO INCREASE DEPTH UP TO A MAXIMUM OF 72"



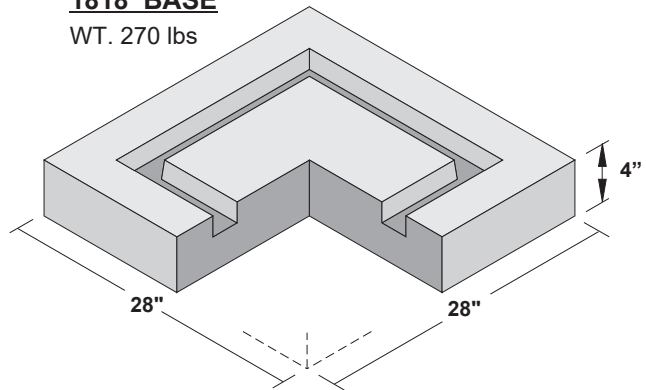
1818 STEEL COVER

PARKWAY 44 lbs.
TRAFFIC 65 lbs.



1818 BASE

WT. 270 lbs



NOTES:

1. GRATES AND COVERS AVAILABLE PAINTED BLACK OR GALVANIZED
2. "ADA" GRATES AVAILABLE IN PARKWAY & TRAFFIC
3. "HEEL PROOF" GRATES AVAILABLE IN PARKWAY & TRAFFIC
4. A TOP SECTION WITH FRAME MUST BE USED IF BOLT DOWN REQUIRED

TOP SECTION	HT.	LBS	KNOCK-OUT
1818 T6	6"	215	NONE
1818 T12	12"	370	(4) 5" x 10"
1818 T18	18"	555	(4) 9" x 11"
1818 T24	24"	785	(4) 9" x 11"

EXTENSION SECTION	HT.	LBS	KNOCK-OUT
1818 E6	6"	215	NONE

LOWER SECTION	HT.	LBS	KNOCK-OUT
1818 L12	12"	370	(4) 5" x 10"
1818 L18	18"	555	(4) 9" x 11"
1818 L24	24"	785	(4) 9" x 11"

18" x 18" CATCH BASIN



BROOKS 1818 CB

ORG. DWG. DATE
04-20-95

REV. DWG. DATE
02-14-20