

Model #: 102479
Starting Date: 12/11

LESCO®

TRUCKSTER ELECTRIC SPREADER

SPREADER MOUNTING

The LESCO Truckster Mount Electric Spreader is designed to be mounted to the rear of any turf maintenance vehicle with a 12-volt electrical system. The vehicle could be anything from a golf cart to a pickup truck. For this reason, specific mounting instructions cannot be given.

The spreader should be mounted at the center rear of the vehicle so that the impeller is 12 to 18 inches from the ground. This is important to obtain the proper spreading pattern. The mounting is accomplished by drilling and bolting through the holes in the mounting plates and the U-frame behind the hopper. The furnished 1/4-20 x 2 inch bolts, lockwashers and nuts should be used. In some cases, depending on the vehicle, your mechanic may wish to fabricate mounting brackets.

On-Off Switch

This switch should be mounted on the instrument panel or in a position convenient to the driver. Do not overtighten the nuts on the switch as damage to the Switch Housing could occur. Take care to route the wires through the Switch Housing openings and that the wires are not pinched when mounting the switch.

WIRING

The spreader wire harness and motor have molded disconnect plugs that allows the spreader to be removed from the vehicle while leaving the wire harness attached. Connect the wire harness to the vehicle 12-volt power source before connecting the molded plug to the spreader electric motor. **WARNING: AVOID DAMAGE TO THE WIRING! KEEP THE WIRES AWAY FROM THE ENGINE AND OTHER SOURCES OF HEAT AT ALL TIMES.** With a negative ground system, connect the red wire from the switch harness to the positive (+) terminal of the vehicle's 12-volt battery or 12-volt power source. Connect the black wire from the switch harness to a good ground point on the vehicle frame or the negative (-) terminal of the vehicle's 12-volt battery. Connect the molded plug to the spreaders electric motor. Switch the On-Off switch to On and check for proper rotation of the impeller. When viewed from the top of the spreader, the impeller should rotate counter-clockwise. If the rotation is incorrect, turn off the motor, disconnect the molded plug and reverse the wiring.

CONTROL CABLE

The control cable is used to open and close the spreader. It should be placed in a position easily reached by the driver.

OPERATION

PROPER VEHICLE SPEED IS 3 M.P.H.

Adjust the spreader setting rate as recommended by the manufacturer of the product to be applied. At a speed of 3 M.P.H., the product will be distributed in a spread width of 8 to 12 feet. To spread material, switch on the On-Off switch to start the impeller when the vehicle reaches the area to be treated, then use the control cable to open the spreader. When you reach the end of the area to be treated, use the control cable again to close the spreader. Then with the spreader closed, turn around and then open the spreader again and make a pass parallel to and 8 feet away from the first. If you keep the passes 8 feet apart, the spread patterns will overlap at the sides where they thin out and you will achieve an even distribution. Remember to close the spreader when you stop or turn the vehicle. Also switch off the On-Off switch to stop the impeller if you stop or when traveling from one area to another.

The material in the Hopper should be kept dry at all times to avoid damage to the Equipment. Always use the included and Hopper Cover when a risk of exposure to moisture is present.

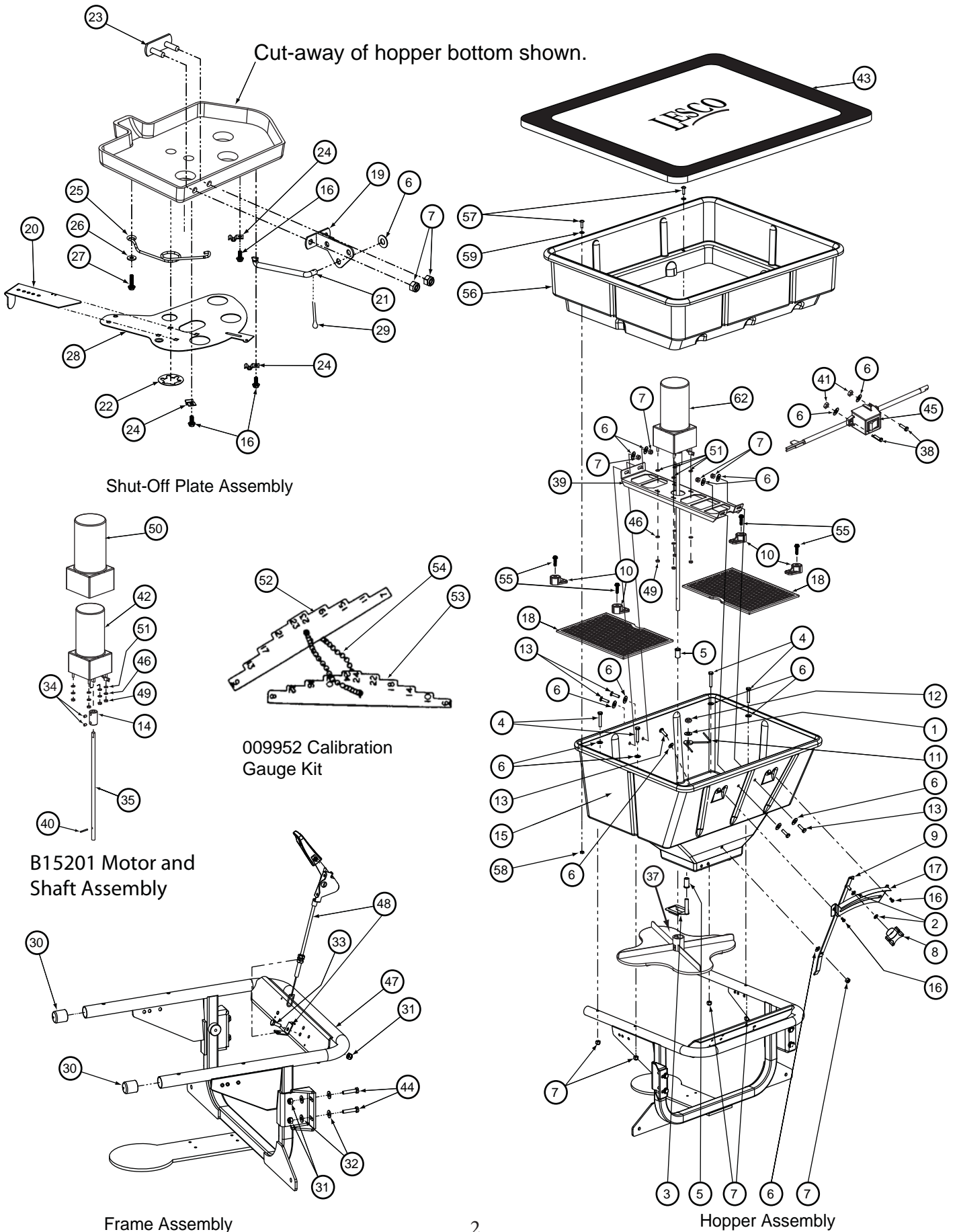
SAFE OPERATION

Do not put hands inside the Hopper while the motor is on. Repair exposed wires before operating the Spreader. Only use materials that are safe to spread in conjunction with this Spreader. Keep children away from the Spreader at all times. Do not use more than 80 pounds in the Hopper or 125 pounds with the Hopper Extension attached. Do not allow anyone to sit in or ride on the Hopper assembly.

MAINTENANCE

The spreader should be emptied and cleaned thoroughly after each use. **Cover the motor** and if possible clean the spreader, hopper, and working parts with a high pressure water spray. **Do not spray water directly on the motor.** The motor should be cleaned by blowing it off with an air hose (**motor is not waterproof**). The control cable is attached to the latch arm. Oil the latch-arm pivots after each use.

ILLUSTRATED PARTS



ILLUSTRATED PARTS

| Ref. No. | Part No. | Description | Qty. | Ref. No. | Part No. | Description | Qty. |
|----------|----------|--------------------------------------|------|----------|----------|-------------------------------------|--------|
| 1 | 005530 | Flat Washer, 3/8 POM | 1 | 34 | B15207 | Set Screw, 1/4 x 3/8 SS | 2 |
| 2 | 082452 | Nylon Flat Washer, 1/4 | 2 | 35 | B15205 | Spinner Shaft | 1 |
| 3 | 092125 | Agitator Assembly | 1 | 36 | 017809 | Replacement Driver Gear (Not Shown) | |
| 4 | B15217 | Hex Head Cap Screw, 1/4-20 x 1.75 SS | 4 | 37 | | | 030317 |
| 5 | 060027 | Agitator Shaft Bearing | 2 | 38 | B15213 | Hex Cap Screw, 1/4-20 x 1 | 2 |
| 6 | 060033 | 1/4 Flat Washer SS | 17 | 39 | B15200 | Motor Mount Bracket | 1 |
| 7 | 060036 | 1/4-20 Center Lock Nut | 11 | 40 | 060069 | Roll Pin | 1 |
| 8 | 060043 | Rate Control Knob | 1 | 41 | B15214 | Hex Nut, 1/4-20 SS | 2 |
| 9 | 060044 | Rate Control Arm | 1 | 42 | B15202 | Motor | 1 |
| 10 | 092422 | Plastic Screen Clip | 4 | 43 | 051842 | Hopper Cover | 1 |
| 11 | 092126 | Agitator Arm Assembly | 1 | 44 | 700913 | Hex Cap Screw, 1/4-20 x 1.25 Zinc | 4 |
| 12 | 092127 | Retainer Clip "C" | 1 | | | | |
| 13 | 031168 | Hex Cap Screw, 1/4-20 X 0.75 | 5 | 45 | B15210 | Switch Assembly | 1 |
| 14 | B15206 | Coupling | 1 | 46 | B15208 | Washer, #10 SS | 4 |
| 15 | B15199 | Hopper Green 80# | 1 | 47 | 708999 | Truckster Frame Assembly | 1 |
| 16 | 705631 | Index Washer Hex Screw, #8 x 3/8 | 5 | 48 | 720933 | Control Cable Assembly | 1 |
| | | | | 49 | B15204 | Hex nut, 10-32 SS | 4 |
| 17 | 706772 | Control Plate Rate | 1 | 50 | B15203 | Boot | 1 |
| 18 | B15011S | Screen, Stainless Steel | 2 | 51 | B15209 | #10 Lock Washer SS | 4 |
| 19 | 017288 | Pivot Lever Assembly | 1 | 52 | 009742 | Calibration Gauge (odd) | 1 |
| 20 | 020492 | Slide Lever | 1 | 53 | 009746 | Calibration Gauge (even) | 1 |
| 21 | 060061 | Pivot Lever Rod | 1 | 54 | 009941 | Chain | 1 |
| 22 | 704186 | Spring Clip | 1 | 55 | 092426 | Philips Head Screw #8 x 1/2 SS | 4 |
| 23 | 704539 | Two Hole Weldment Plate | 1 | 56 | 709729 | Hopper Extension | 1 |
| 24 | 704955 | Plate Shut-off Clip | 3 | 57 | 035678 | Machine Screw, 10-24 x 3/4 SS | 4 |
| 25 | 704956 | Plate Shut-off Spring | 1 | 58 | 070027 | Nut, 10-24 SS | 4 |
| 26 | 705630 | Washer, #10 SS | 1 | 59 | 705630 | Washer, #10 SS | 4 |
| 27 | 705632 | Index Washer Hex Screw, #8 x 5/8 | 1 | 60 | 706895 | "LESCO" Decal (not shown) | 1 |
| | | | | 61 | 702048 | 80# Capacity Decal (not shown) | 1 |
| 28 | 706825 | Shut-off Plate | 1 | 62 | B15201 | Motor with Shaft Assembly | 1 |
| 29 | 709945 | Cotter Pin, 3/32 x 1/2 Lg, SS | 1 | | | | |
| 30 | 011832 | End Cap | 2 | | | | |
| 31 | 012152 | Lock Nut, Nylon Insert, 1/4-20 Zinc | 5 | | | | |
| 32 | 012154 | Flat Washer, 1/4 Zinc | 8 | | | | |
| 33 | 013131 | Hex Cap Screw, 1/4-20 x 0.75 | 1 | | | | |



Equipment One-Year Limited Warranty

1. What Is Covered By This Warranty. LESCO, Inc. warrants, to the original purchaser only, that the Equipment that is the subject of this sale (a) conforms to LESCO's published specifications, and (b) is free from defects under normal service, for a one-year period from the original date of delivery. This warranty does not include damage to the Equipment resulting from occurrences set forth hereinafter in (2). If the purchaser discovers within this period a failure of the Equipment to conform to specifications or a defect in material or workmanship, they must promptly notify LESCO in writing of such claim. Any claims under this warranty must be received in writing by LESCO within 13 months from the date of original delivery. Within a reasonable time after such notification, LESCO will replace any defective component of the Equipment or part thereof. LESCO will provide the components or parts at LESCO's expense. Labor is to be performed by the original purchaser. (LESCO will provide purchaser a labor allowance at LESCO's current flat rate schedule.) LESCO will make the final determination as to the amount of hours to be reimbursed to the purchaser for labor. All defective parts shall be returned to LESCO if requested. These remedies are the original purchaser's exclusive remedies for breach of warranty.

2. What Is Not Covered By This Warranty. LESCO does not warrant (a) any product, components or parts not manufactured by LESCO; (b) defects caused by failure to provide a suitable installation environment for the Equipment; (c) damage caused by use of the Equipment for purposes other than those for which it was designed; (d) damage caused by accident or disasters such as fire, flood, wind and lightning; (e) damage caused by unauthorized attachments or modification; or (f) any other abuse or misuse of the Equipment.

3. EXCLUSIVE WARRANTY. THE FOREGOING WARRANTY IS EXCLUSIVE AND IN LIEU OF ALL OTHER WARRANTIES OR REMEDIES, WHETHER WRITTEN, ORAL OR IMPLIED. ANY AND ALL IMPLIED WARRANTIES OF MERCHANTABILITY, FITNESS FOR A PARTICULAR PURPOSE, COURSE OF DEALING OR USAGE OF TRADE ARE HEREBY EXPRESSLY DISCLAIMED AND EXCLUDED.

4. LIMITATION OF REMEDIES. UNDER NO CIRCUMSTANCES, EXCEPT TO THE EXTENT PROHIBITED BY APPLICABLE LAW, SHALL LESCO BE LIABLE FOR ANY LOSS OR DAMAGE, DIRECT OR INDIRECT, SPECIAL, INCIDENTAL OR CONSEQUENTIAL ARISING OUT OF THE USE OF OR INABILITY TO USE THIS EQUIPMENT INCLUDING BUT NOT LIMITED TO ANY CLAIM FOR LOSS OF PROFITS, LOSS OF SAVINGS OR REVENUE, LOSS OF USE OF THE EQUIPMENT OR ANY ASSOCIATED EQUIPMENT, FACILITIES OR SERVICE, DOWNTIME, THE CLAIMS OR COSTS OF THIRD PARTIES INCLUDING CUSTOMERS, AND INJURY TO PROPERTY. Some states do not allow limitations on how long an implied warranty lasts or the exclusion or limitation of incidental or consequential damages, so the above limitations or exclusion may not apply to you. This warranty gives you specific legal rights, and you may also have other rights which vary from state to state.

5. Time Limit For Claims. Any claim for breach of warranty or claims under this warranty must be received by LESCO within 13 months following delivery of the equipment.

6. No Other Warranties. Unless modified in writing signed by both parties, this agreement is understood to be the complete and exclusive agreement between the parties, superceding all prior agreements, oral or written, and all other communications between the parties relating to the subject matter of this agreement. No employee or representative of LESCO or any other party is authorized to make any other Warranty or to assume any other liability in connection with the sale of its Equipment.

7. Future Changes. LESCO reserves the right to reserve, change or modify the construction and design of its Equipment or any component part or parts thereof without incurring the obligations to make such changes or modifications in present equipment.

8. Allocation Of Risks. This agreement allocates the risks of equipment failure between LESCO and the original purchaser. This allocation is recognized by both parties and is reflected in the price of the goods. THE PURCHASER ACKNOWLEDGES THAT IT HAS READ THIS AGREEMENT, UNDERSTANDS IT, AND IS BOUND BY ITS TERMS.

9. How To Contact LESCO. If during the warranty period, the LESCO equipment does not function properly due to defect, simply contact the LESCO Service Department:

LESCO, Inc. (216) 706-9250 Cleveland
Technical Service Department (800) 321-5325 Toll Free
1301 East 9th Street Suite 1300
Cleveland, OH 44114-1849

HOW TO ORDER PARTS

Contact your LESCO Salesperson, OR phone us (use the numbers above), OR write us (use the address above). We will need the following information:

1. Your account number if available.
2. Your name and address and the address where you want the parts to be shipped.
3. The Model/Serial No. of the equipment.
4. The LESCO Part No. and the quantity desired. (Please do not use reference numbers.)

NOTE: *Inspect all shipments on receipt for damage or missing parts. File a claim with the carrier before accepting a damaged shipment.*

We reserve the right to change designs, specifications and equipment at any time without notice and without incurring any obligations.

LESCO, Inc., 1301 East 9th Street Suite 1300, Cleveland, Ohio 44114-1849
Toll Free (800) 321-5325 • In the Cleveland Area (216) 706-9250