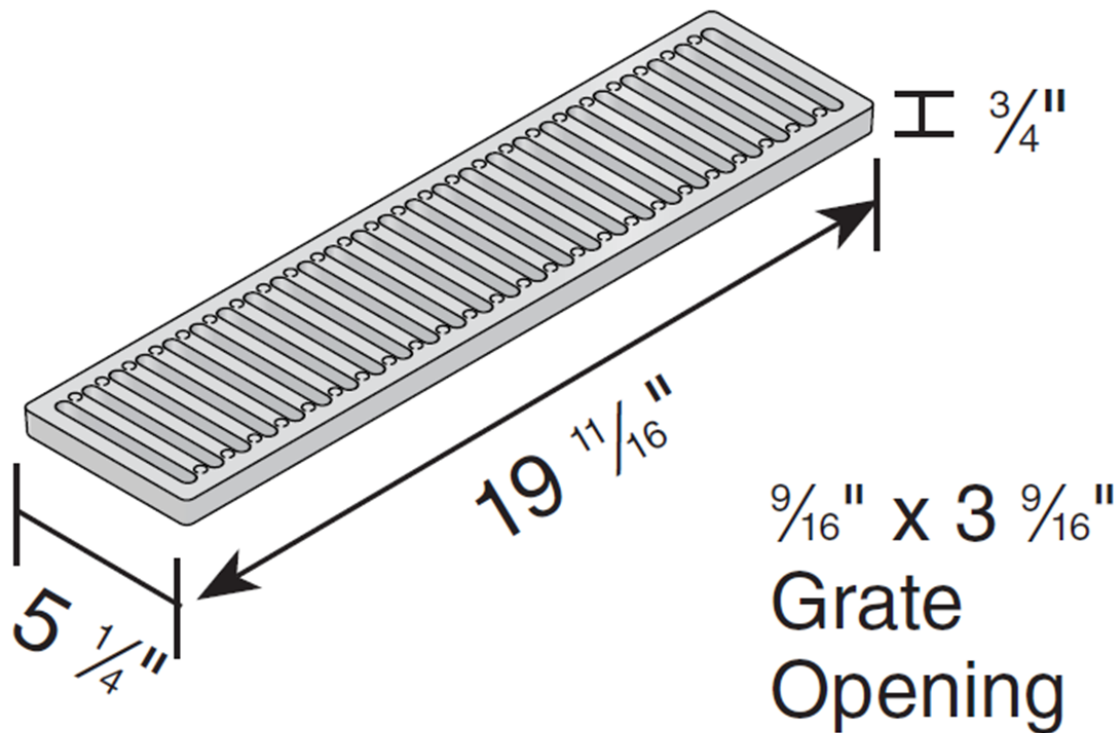


## 5 Inch Pro Series Grates



Part #: 823  
 Material: Ductile Iron  
 Color: Black/Ductile Iron  
 Fits: 5" Pro Series Channel, Part# 820 ( takes 1 grate) and  
 Part# 800 ( takes 2 grates)  
 Grate Opening:  $\frac{9}{16}'' \times 3 \frac{9}{16}''$   
 Open Surface Area: 22.90 Sq. Inch per Ft.  
 Head Pressure / Flow Rate:  
Head (inches) - Max Flow  
 1" = 99.07 GPM  
 0.5" = 70.05 GPM  
 Weight per each: 12.30 lbs.  
 Screw: #829 Stainless Steel Screw, 4 per grate.  
 UV Inhibitors



### Class D

- Loads of 326-575 psi.
- Recommended for heavy-duty hard tire forklifts at speeds less than 20 m.p.h., H-20 rated.

**ADA Compliant**

