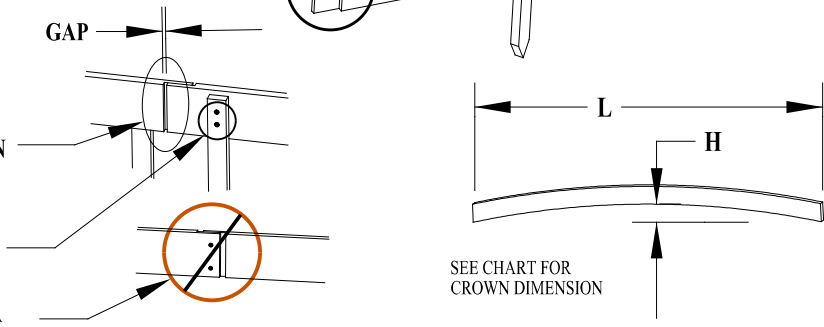


- USE COURSE WOOD WORKING TOOLS FOR CUTTING AND DRILLING
- ALLOW FOR THERMAL EXPANSION AND SHRINKAGE BY LEAVING GAPS BETWEEN END OF BOARDS
- USE PLATED SCREWS TO JOIN BOARD TO STAKE
- DO NO SCREW BOTH BOARDS TOGETHER



AVAILABLE ACCESSORIES FOR BENDA BOARD PRODUCTS

	ACCESSORY DESCRIPTION AND COLOR	ACTUAL DIMENSION	PRODUCT NUMBER
1	12 BENDA BOARD PLASTIC STAKE / REDWOOD	.67in X 11.75in X1.38in 1.7cm X 29.84cm X 3.5cm	100036740
2	12 BENDA BOARD PLASTIC STAKE / BLACK	.67in X 11.75in X1.38in 1.7cm X 29.84cm X 3.5cm	100078300
3	18 BENDA BOARD PLASTIC STAKE / REDWOOD	.67in X 17.75in X1.38in 1.7cm X 45.08cm X 3.5cm	100036741
4	18 BENDA BOARD PLASTIC STAKE / BLACK	.67in X 17.75in X1.38in 1.7cm X 45.08cm X 3.5cm	100082779
5	12 BENDA BOARD PLASTIC STAKE / SAND	.67in X 11.75in X1.38in 1.7cm X 29.84cm X 3.5cm	100036742
6	12 BENDA BOARD PLASTIC STAKE / CARMEL BROWN	.67in X 11.75in X1.38in 1.7cm X 29.84cm X 3.5cm	100046315
7	STEEL J STAKE 1 x 4 / REDWOOD	1.35in X 12.75in X 1.28in 3.42cm X 32.38cm X3.25cm	200079367
8	STEEL J STAKE 1 x 4 / SAND	1.35in X 12.75in X 1.28in 3.42cm X 32.38cm X3.25cm	200079371
9	STEEL J STAKE 1 x 4 / BLACK	1.35in X 12.75in X 1.28in 3.42cm X 32.38cm X3.25cm	200102712
10	STEEL J STAKE 2 x 4 / REDWOOD	1.5in X 11in X 1.75in 3.81cm X 27.94cm X 4.44cm	200079370
11	12 PRE-DRILLED STAKE / TEAK BROWN	.67in X 11.75in X 1.38in 1.7cm X 29.84cm X 3.5cm	200102648
12	18 PRE-DRILLED STAKE / TEAK BROWN	.67in X 17.75in X 1.38in 1.7cm X 45.08cm X 3.5cm	200102649
13	12 REDWOOD STAKE (ACTUAL REDWOOD)	.68in X 11.5in X 1.45in 1.7cm X 29.2cm X 3.7cm	200079372
14	18 REDWOOD STAKE (ACTUAL REDWOOD)	.68in X 17.5in X 1.45in 1.7cm X 44.4cm X 3.7cm	200109153
15	1x4 STEEL HAIRPIN	.14in X 13in X 1.25in 3.5mm X 33.02cm 3.17cm	200079368
16	2 x 4 STEEL HAIRPIN	.16in X 13in X 1.8in 4mm X 33.02cm 4.57cm	200079369
17	# GALVANIZED SCREWS	1-1/4in 3.05cm	200079375
18	# GALVANIZED SCREWS	2in 5.08cm	200079376

NOMINAL DESCRIPTION	PRODUCT NUMBER	COLOR	ACTUAL DIMENSION D x H x L	MIN. BEND RADIUS	GAP	MAXIMUM CROWN H / L	RECOMMENDED ACCESSORIES (REFER TO NEXT CHART)
1 x 4 x 20	100036729	REDWOOD	.72in X 3.35in X 19ft 10in 1.82cm X 8.5cm X 6.04m	24"	1/4" - 1/2"	19" / 20'	1, 3, 5, 6, 7, 8, 9, 11, 12, 13, 14, 15, 17
	100036733	SAND					
	100059386	TEAK					
	100051993	BLACK					
2 x 4 x 20	100036731	REDWOOD	1.37in X 3.4in X 19ft 10in 3.47cm X 8.63cm X 6.04m	36"	1/2" - 3/4"	16" / 20'	1, 3, 6, 10, 11, 12, 13, 14, 16, 18
	100059389	TEAK					
1 x 6 x 20	100036730	REDWOOD	.65in X 5.35in X 19ft 10in 1.65cm X 13.58cm X 6.04m	24"	1/2" - 3/4"	9" / 20'	1, 2, 3, 4, 5, 6, 7, 8, 9, 11, 12, 13, 14, 15, 17
	100082778	BLACK					
	100059387	TEAK					
2 x 6 x 16	100036732	REDWOOD	1.35in X 5.4in X 15ft 10in 3.42cm X 13.71cm X 4.82m	36"	3/4" - 1"	N/A	1, 3, 6, 10, 11, 12, 13, 14, 16, 18

BENDA BOARD HEADER BOARD DETAIL # 110

MADE IN USA by EPIC PLASTICS
104 E. TURNER RD, LODI CA 95240
www.epicplastics.com

BENDA BOARD IS INTENDED FOR NON-STRUCTURAL USE ONLY