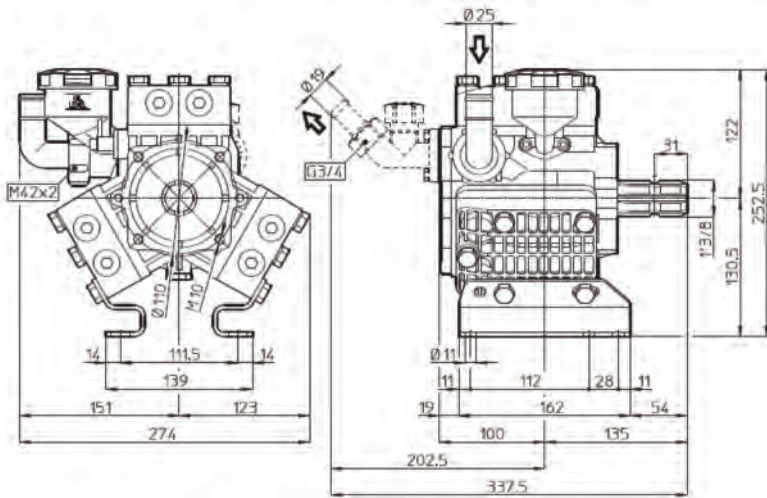


Medium Pressure Diaphragm Pumps • KAPPA-43 (10.5gpm, 560psi)



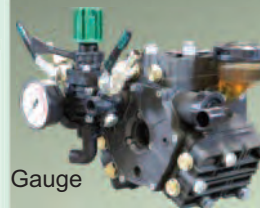
KAPPA-43/GR
(Shown)

KAPPA-43 • Specifications

| | |
|-----------------------------------|----------------------|
| Maximum Flow: | 10.5 GPM |
| Maximum Pressure: | 560PSI / LP 350PSI |
| Maximum RPM: | 540 RPM |
| Inlet Port – Hose Barb: | 1" HB |
| Outlet Ports – Hose Barb (Valve): | (2) 1/2" |
| Bypass – Hose Barb: | 3/4" HB |
| Dimensions: | 11.4"Wx9.25"Lx10"H |
| Weight: | 29 Lbs. / GR 39 Lbs. |
| Diaphragm Material: | Desmopan (Standard) |

Lubrication: Requires 20 oz. Udor Lube 40W Premium Pump Oil
Alternate Oil: 30W Non-Detergent or 15W-40 Non-Detergent Oil

KAPPA-43 3-cylinder, medium pressure diaphragm pumps are excellent choices for various horticulture, agricultural, lawn care, nursery, pest control and turf spraying applications. They are also effectively used in other applications such as aircraft de-icing, hydrostatic testing and cleaning. The **KAPPA-43** pumps come standard with mounting rails and a 25mm solid keyed shaft. **KAPPA-43** pumps are constructed of anodized aluminum with anodized aluminum and stainless-steel liquid handling parts. Control valve and pressure gauge are standard on all models.



Gauge

Model: KAPPA-43

Anodized Aluminum Construction
Mounting Rails & 25mm Keyed Shaft.
Control Unit with Pressure Regulator,
(2) Ball Valve Outlets & Pressure

List Price \$ 1,194.80



Model: KAPPA-43/GR-LP

Low Pressure (10.5gpm, 350psi)
Mounting Rails & Control Unit with
Pressure Regulator, (2) Ball Valve
Outlets & Pressure Gauge / Gear Box
for 4-6.5Hp Gas Engines with 3/4" Shafts

List Price \$ 1,735.55



Model: KAPPA-43/GR

Anodized Aluminum Construction
Mounting Rails & Control Unit with
Pressure Regulator, (2) Ball Valve
Outlets & Pressure Gauge / Gear Box
for 4-6.5Hp Gas Engines with 3/4" Shafts

List Price \$ 1,735.55

Accessories



15.5823
Udor Lube
Premium Pump Oil
List \$14.21



5071.75
4-6.5Hp • 3/4" Shaft
Gear Reduction
List \$581.02



6010.93 / 6010.95
Control Unit
Regulator
List \$246.48



163.604.4 • 3/8"
90 List \$13.18
163.604.6 • 1/2"
90 List \$13.18



UD1-16
1" Hi-Flow Filter
16 Mesh Screen
List \$54.49



5020.02
Venturi Agitator
1/2" MPT Inlet
List \$24.31

| Quick Reference: | Part # | List Price |
|--------------------------|-----------|------------|
| Diaphragm Kit (Desmopan) | 8700.45 | \$ 105.16 |
| Diaphragm Kit (Buna-N) | 8700.46 | \$ 93.73 |
| Check Valves (6x) Per | 6006.01 | \$ 30.59 |
| Regulator Repair Kit | 6062.A9 | \$ 66.44 |
| Oil Reservoir Assembly | 6033.01 | \$ 65.10 |
| Diaphragm Kit - Complete | 8700.45CK | \$ 383.78 |