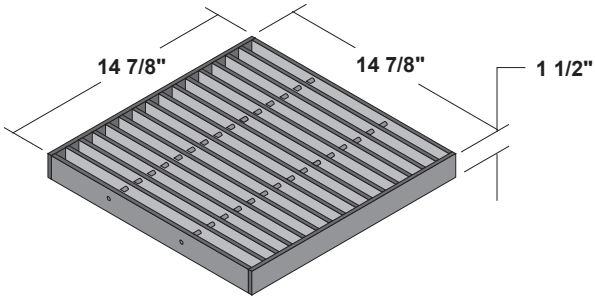


1212 CAST IRON GRATE

PARKWAY ONLY 28 lbs.

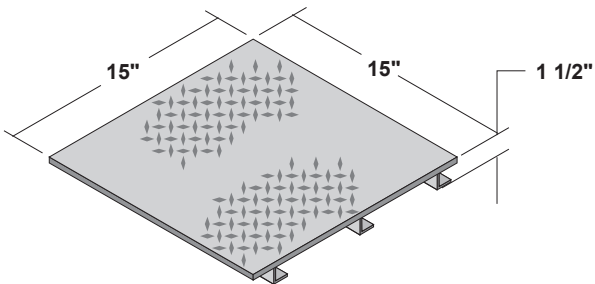
1212 STEEL GRATES

PARKWAY 16 lbs.
TRAFFIC 18 lbs.

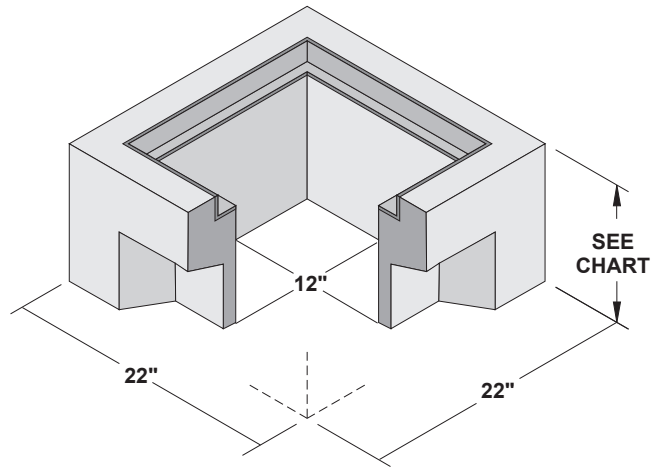


1212 STEEL COVER

PARKWAY 22 lbs.
TRAFFIC 25 lbs.

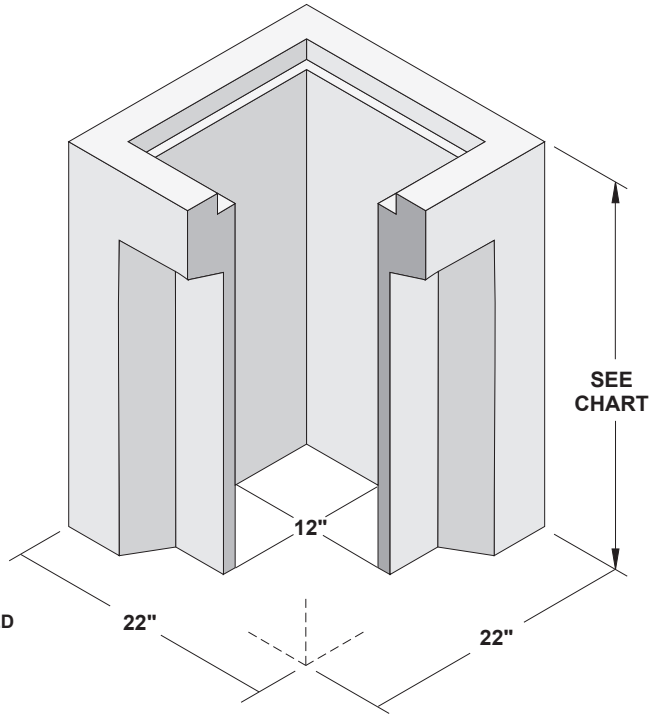


1212 TOP SECTION (WITH GALVANIZED FRAME)



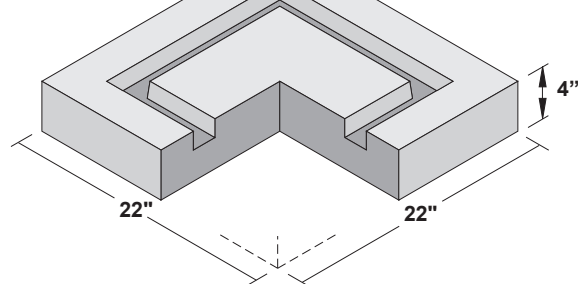
1212 LOWER SECTION (NO FRAME)

NOTE: USE 12", 18", 24", 28" LOWERS TO INCREASE DEPTH UP TO A MAXIMUM OF 72"



1212 BASE

WT. 165 lbs



NOTES:

1. GRATES AND COVERS AVAILABLE PAINTED BLACK OR GALVANIZED
2. "ADA" GRATES AVAILABLE IN PARKWAY & TRAFFIC
3. "HEEL PROOF" GRATES AVAILABLE IN PARKWAY & TRAFFIC
4. A TOP SECTION WITH FRAME MUST BE USED IF BOLT DOWN REQUIRED

TOP SECTION	HT.	LBS	KNOCK-OUT
1212 T6	6"	170	NONE
1212 T12	12"	275	(4) 5" x 10"
1212 T18	18"	270	(4) 8" x 12"
1212 T24	24"	430	(4) 8" x 15"
1212 T28	28"	380	(4) 8" x 22"

EXTENSION SECTION	HT.	LBS	KNOCK-OUT
1212 E6	6"	170	NONE

LOWER SECTION	HT.	LBS	KNOCK-OUT
1212 L12	12"	275	(4) 5" x 10"
1212 L18	18"	270	(4) 8" x 12"
1212 L24	24"	430	(4) 8" x 15"
1212 L28	28"	380	(4) 8" x 22"

<p>12" x 12" CATCH BASIN</p>		
<p>ORG. DWG. DATE 04-20-95</p>	<p>REV. DWG. DATE 02-14-20</p>	
<p>BROOKS 1212 CB</p>		