

# 514T Full Port Gate Valve • Spec Sheet



## FEATURES & BENEFITS

- ISO-9001
- 200 WOG - 125 SWP
- Full Port
- Cast Brass
- Non-rising Stem
- Threaded Bonnet
- Threaded Ends Conform to ANSI Standards B2.1
- Valves are Tested in Accordance w/ MSS-SP-82
- Sizes 1/4" - 4"

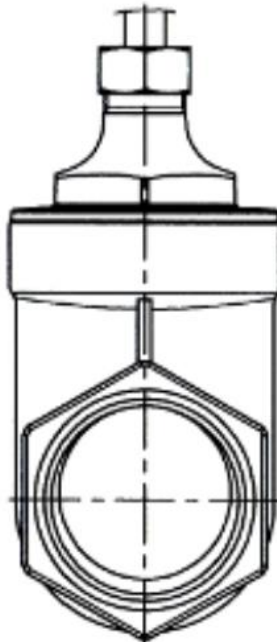
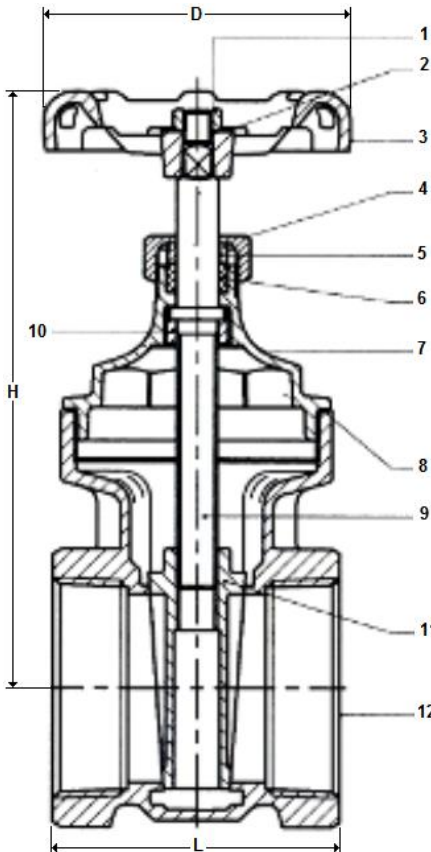
\*Available with Brass Cross Handle or 5 Point Crown Wheel Handle

## DIMENSIONS

Size	Part #	D	H	L
1/4"	514T01	2.09	2.92	1.71
3/8"	514T02	2.09	2.92	1.71
1/2"	514T03	2.09	2.92	1.71
3/4"	514T04	2.52	3.31	1.81
1"	514T05	2.48	3.90	2.13
1-1/4"	514T06	2.72	4.61	2.25
1-1/2"	514T07	3.15	5.08	2.44
2"	514T08	3.53	5.99	2.70
2-1/2"	514T09	3.98	7.88	3.70
3"	514T10	4.37	8.83	4.02
4"	514T11	5.00	9.89	4.53

## APPLICATIONS:

Commercial & Light Industrial  
Steam, Water, Oil or Gas



## MATERIAL SPECIFICATIONS

No.	Part	Material	ASTM Spec
1	Wheel Nut	Hot Rolled	SAE 1010R
2	Name Plate	Aluminum	A1100
3	Handwheel	Cast Iron	JIS ZZ2202
4	Packing Nut	Brass	B16 C36000
5	Gland Ring	Brass	B16 C36000
6	Gland Packing	Graphite	LK 33 NAFG
7	Bonnet	Brass	B584 C85710
8	Packing	Fiber "H"	Non Asbestos
9	Stem	Brass 1/4" - 2"	B16 C36000
		Brass 2-1/2" - 2"	B584 C85710
10	Lock Nut	Brass	B16 C36000
11	Disc	Brass	B584 C85710
12	Body	Brass	B584 C85710



# MATCO-NORCA

Global sourcing. National compliance. Local service.

# 514C Full Port Gate Valve • Spec Sheet



## FEATURES & BENEFITS

- ISO-9001
- 200 WOG - 125 SWP
- Full Port
- Cast Brass
- Non-rising Stem
- Threaded Bonnet
- Solder Ends Conform to ANSI Standards B16.18
- Valves are Tested in Accordance w/ MSS-SP-82
- Sizes 3/8" - 4"

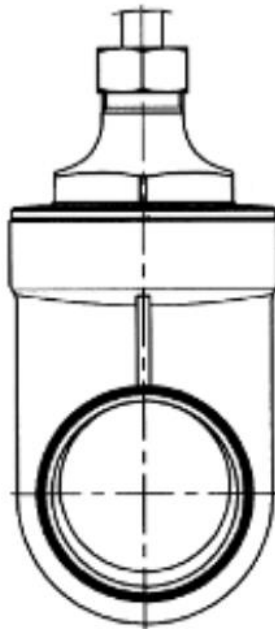
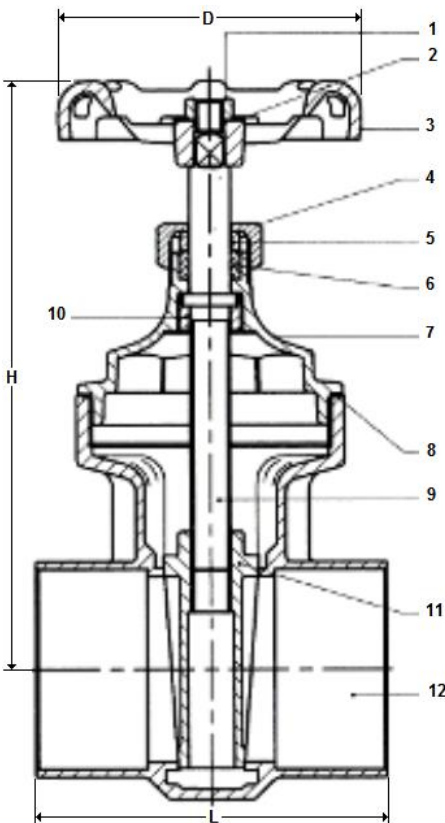
\*Available with Brass Cross Handle or 5 Point Crown Wheel Handle

## DIMENSIONS

Size	Part #	D	H	L
3/8"	514C02	2.09	2.92	1.69
1/2"	514C03	2.09	2.92	1.69
3/4"	514C04	2.52	3.31	2.32
1"	514C05	2.48	3.90	2.72
1-1/4"	514C06	2.72	4.61	2.94
1-1/2"	514C07	3.15	5.08	3.33
2"	514C08	3.53	5.99	3.98
2-1/2"	514C09	3.98	7.88	4.61
3"	514C10	4.37	8.83	5.32
4"	514C11	5.00	9.89	6.37

## APPLICATIONS:

Commercial & Light Industrial  
Steam, Water, Oil or Gas



## MATERIAL SPECIFICATIONS

No.	Part	Material	ASTM Spec
1	Wheel Nut	Hot Rolled	SAE 1010R
2	Name Plate	Aluminum	A1100
3	Handwheel	Cast Iron	JIS ZZ2202
4	Packing Nut	Brass	B16 C36000
5	Gland Ring	Brass	B16 C36000
6	Gland Packing	Graphite	LK 33 NAFG
7	Bonnet	Brass	B584 C85710
8	Packing	Fiber "H"	Non Asbestos
9	Stem	Brass 1/4" - 2"	B16 C36000
		Brass 2-1/2" - 4"	B584 C85710
10	Lock Nut	Brass	B16 C36000
11	Disc	Brass	B584 C85710
12	Body	Brass	B584 C85710



# MATCO-NORCA

Global sourcing. National compliance. Local service.