

# CANDELABRA EDGE FILAMENT

## DESCRIPTION

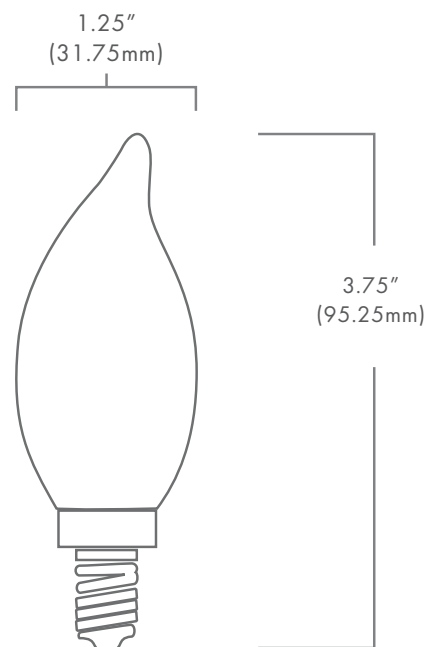
The Brilliance Candelabra Edge Filament lamp is a decorative light source and gives the effect of an original Edison lamp, making it great for indoor chandeliers and anywhere a warm light is desired.

## FEATURES

- Flame & Torpedo tip styles
- Clear or frosted omni-directional light source
- Elegant, exposed filament design
- Dimmable
- UL Listed & FCC compliant

## CANDELABRA EDGE FILAMENT SPECS

Wattage	<b>3.5</b>
Lumens	<b>240, 270</b>
Kelvin Temperature	<b>2200, 2700, 3000</b>
Operating Range	<b>120 VAC/DC</b>
Replaces	<b>40W Incandescent</b>
CRI	<b>90</b>
IP	<b>64</b>
Lamp Life (hours)	<b>30,000</b>
Warranty (years)	<b>3</b>



Part Number: **CAN-FIL-EDGE-X-XXXX-X-120**

Torpedo=T  
Flame=F  
Kelvin  
Clear=C  
Frosted=F



2200, 2700 only



2200, 2700 only

