

PAR36

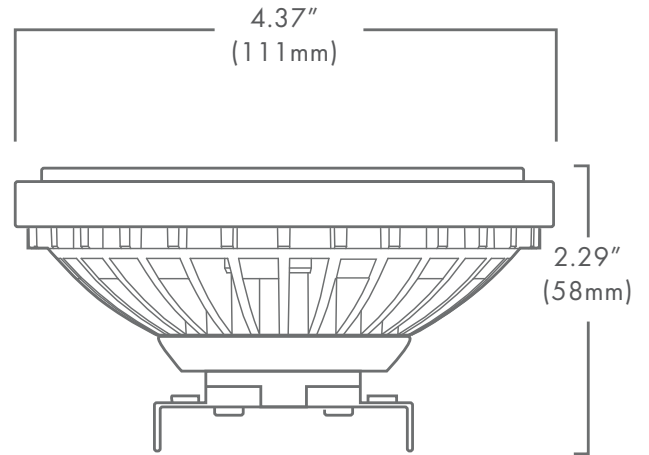


DESCRIPTION

The Brilliance PAR36 lamp is designed to better fit into standard, low voltage, PAR36 fixtures and have a longer lamp life. These LEDs are thermally engineered to operate in enclosed fixtures and provide added security by automatically cooling down, and reducing lumen output when exposed to extreme heat (air temperatures above 125°F). There is no color shift when lumen output is reduced.

FEATURES

- Gen 5 earth tone colored housing
- Dimmable with Brilliance Dimmer and most magnetic transformers
- Enhanced ESD (Electro-Static Discharge) protection (IEC-61000-4-2)
- Heat overload protection technology
- Fully potted PC board
- UL Listed & FCC compliant



Part Number: **PAR36-X-XXXX-XXX**

Wattage | Kelvin | Beam spread

PAR36 SPECS

Wattage	4, 7, 11, 15		
Lumens	2700K	3000K	5700K
4W	435	470	520
7W	675	700	800
11W	900	950	1150
15W	1430	1530	1650
Beam Spread	15°, 30°, 60°, 120°		
Kelvin Temperature	2700, 3000, 5700		
Operating Range	8-25 VAC/DC		
Replaces	20W, 35W, 50W Halogen		
CRI	85		
IP	68		
Lamp Life (hours)	50,000		
Warranty (years)	5		

