



PROJECT

CATALOG #

TYPE

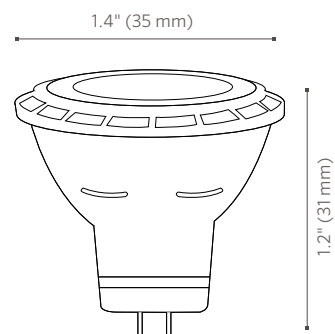
NOTES

## MR-11 Eco Lamp

The versatile MR-11 Eco Lamp offers reliable performance in a small package. Featuring a 2 W output and a 35° beam angle for ample illumination, it's ideal for low-output applications.

### Quick Facts

- Durable, lightweight aluminum housing withstands any weather condition
- Two color temperature options offer a warm (2,700K) or soft (3,000K) look
- Compatible with the Luxor® Low-Voltage CUBE for zoning and dimming capabilities
- Available in 2 W output for low-output applications
- Beam angle of 35° (Flood) offers ample illumination



# MR-11 Eco Lamp SPECIFICATIONS

Output	20WFL	20SFL
<b>Total Lumens</b>	200	200
<b>Input Voltage</b>	12 VAC	12 VAC
<b>Input Power</b>	2 W	2 W
<b>Power Consumption (VA)</b>	3.3 W	3.3 W
<b>Efficacy (lm/W)</b>	157	176
<b>Color Rendering Index (CRI)</b>	86	87
<b>Center Beam Candlepower</b>	324	386
<b>Dimming</b>		
<b>Primary Dimming (Transformer)</b>	Consult transformer specifications	
<b>Secondary Dimming (Fixture)</b>	Phase-cut*	Phase-cut*
<b>Minimum Rated Life L70 (Hrs)</b>	30,000	30,000

\* For optimal performance, use a trailing-edge (reverse phase-cut) dimmer.

## FX Luminaire

FX Luminaire is an industry-leading manufacturer of landscape and architectural lighting products with a focus on the advancement of LED technology and digital lighting control with zoning, dimming, and color adjustment capabilities. We offer a full spectrum of specification-driven lighting fixtures that can be utilized to create elegant, cutting-edge landscape lighting systems for commercial or residential applications. Our products are available exclusively via our extensive professional distributor network.

## Material

Aluminum housing

## Power

Input voltage: 10 to 15 VAC

## Control

Compatible with the Luxor Low-Voltage CUBE

## Weight

0.5 lbs (227 g)

## Base

GU5.3

## Color Temperature

2,700K and 3,000K

## Optics

Flood 35°

## Ambient Operating Temperature

0°F to 140°F (-18°C to 60°C)

## Sustainability

Innovation meets conservation in the design and manufacturing of our products. Where we can, we use recycled materials while maintaining superior functionality. Our LED products provide high-quality light at optimal energy efficiency, lifespan, and durability.

## Warranty

3-year limited warranty

## Listings



# MR-11 Eco Lamp ORDERING INFORMATION

Model	Halogen Equivalent	Color Temperature	Beam Angle
<b>MR11ECO</b>	■ <b>20</b> 20 W; consumes 3.3 VA	■ <b>W</b> Warm (2,700K)	■ <b>FL</b> Flood (35°)
		■ <b>S</b> Soft (3,000K)	

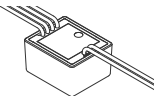
EXAMPLE CONFIGURATION: MR11ECO-20-W-FL

MR11ECO	-	20	-		-	FL
---------	---	----	---	--	---	----

Model Number	Description	Watts	VA	Equivalent Wattage	CCT	Beam Spread	Total Lumens	CBCP	CRI	Efficacy
<b>MR11ECO20WFL</b>	Warm, Flood	2 W	3.3	20 W	2,700K	35°	157	324	86	75
<b>MR11ECO20SFL</b>	Soft, Flood	2 W	3.3	20 W	3,000K	35°	176	386	87	87

## Luxor Technology Option: Specify Separately

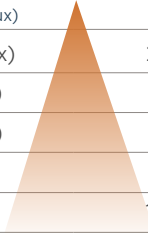
Item	Code
■ <b>LUXOR LOW-VOLTAGE CUBE</b> <i>Supports AC dimmable LEDs and incandescent;</i> MAX LOAD: 60 W/5 A	LCM-LV



# MR-11 Eco Lamp PHOTOMETRICS

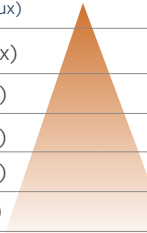
*MR11ECO20WFL* Illuminance at a Distance

Feet (Meters)	Center Beam Foot-Candles (Lux)	Beam Width Vertical 33.9°
3.3' (1.0 m)	29.7 fc (320 lx)	2.0' (0.6 m)
6.7' (2.0 m)	7.2 fc (78 lx)	4.1' (1.3 m)
10.0' (3.1 m)	3.2 fc (35 lx)	6.1' (1.9 m)
13.3' (4.1 m)	1.8 fc (19 lx)	8.1' (2.5 m)
16.7' (5.1 m)	1.2 fc (13 lx)	10.2' (3.1 m)



*MR11ECO20sFL* Illuminance at a Distance

Feet (Meters)	Center Beam Foot-Candles (Lux)	Beam Width Vertical 32.6°
3.3' (1.0 m)	35.5 fc (382 lx)	1.9' (0.6 m)
6.7' (2.0 m)	8.6 fc (93 lx)	3.9' (1.2 m)
10.0' (3.1 m)	3.9 fc (42 lx)	5.9' (1.8 m)
13.3' (4.1 m)	2.2 fc (24 lx)	7.8' (2.4 m)
16.7' (5.1 m)	1.4 fc (15 lx)	9.8' (3.0 m)



© 2021 Hunter Industries™. Hunter, FX Luminaire, all related logos, and all other trademarks are property of Hunter Industries, registered in the U.S. and other countries.