



**PROFESSIONAL
OUTDOOR LIGHTING**

Type: _____

Model: _____

Project: _____

SPECIFICATION SHEET

MODEL 5240 Landscape Series • In-Ground & Well Lights

FIXTURE SPECIFICATIONS:

HOUSING:

Black silicone rubber lamp holder suspended inside a 5" black ABS well.

FINISH:

Available in Black only.

SOCKET/LAMP HOLDER:

Socket not required. Fixture supplied with high-temperature rated screw terminal spade connectors.

LENS:

Lens cover ordered separately, but not required.

OPTICS/AIMING:

Adjustable lamp bracket provides up to $\pm 25^\circ$ of tilt as well as 360° rotation of housing for precise beam control. Lamp bracket can be locked into place to prevent disrupting lamp position when relamping. Housing bracket within ABS well provides up to $\pm 45^\circ$ of tilt in addition to lamp bracket.

MOUNTING:

In-grade. Mounting accessories not required.

FASTENERS:

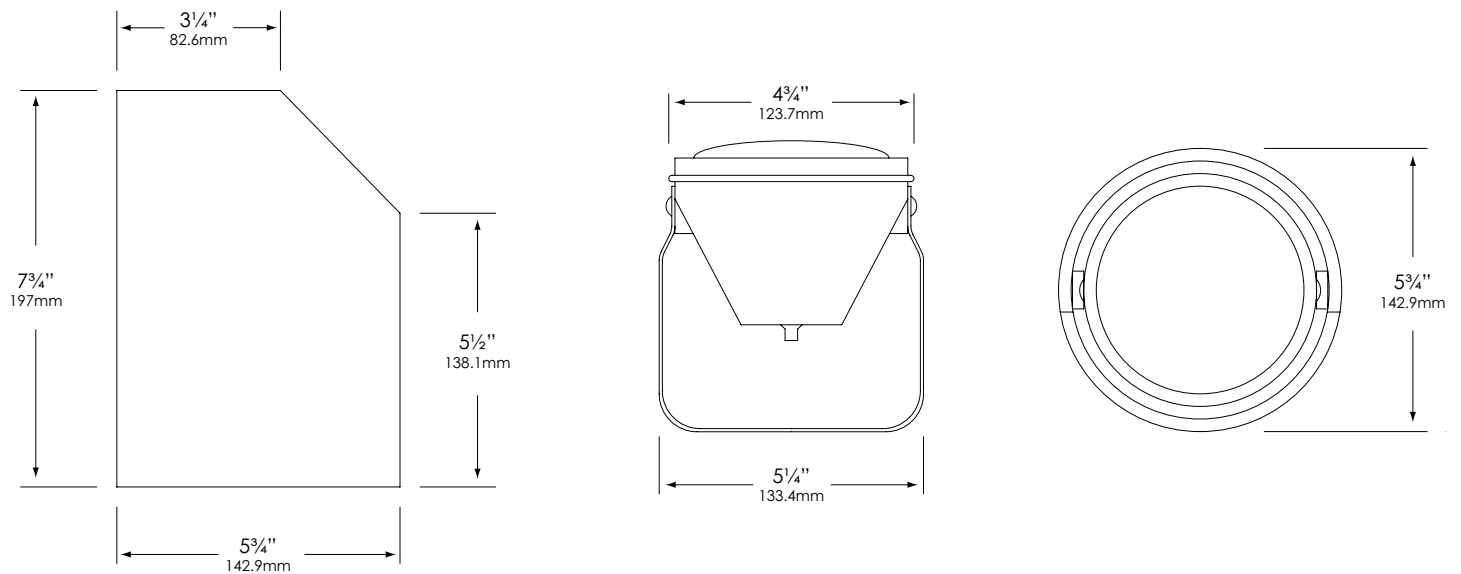
All fasteners are stainless steel.

WIRING:

Prewired with a three-foot pigtail of 18-2 direct-burial cable and underground connectors for a secure connection to supply cable.

All Vista luminaires are [MADE IN U.S.A.](#)

DIMENSIONS:



Vista Professional Outdoor Lighting reserves the right to modify the design and/or construction of the fixture shown without further notification.



SPECIFICATION SHEET

MODEL 5240 Landscape Series • In-Ground & Well Lights

FIXTURE ORDERING INFORMATION

TO ORDER FIXTURE: Select appropriate choice from each column as in the following example.

EXAMPLE: GW-5240-B-7558-CBL

MOUNTING	MODEL	FINISH	LAMP	ACCESSORIES
GW - In-grade	5240	B - Black	LNH-7558 (20W) Standard (Please see lamp order code column on lamp guide, Vista product catalog.)	CL - Clear tempered lens cover DL - Directional Grate cover BD - Bidirectional Grate cover

Fixtures shipped with standard lamp, unless otherwise specified.
Fixtures shipped with specified mounting hardware.