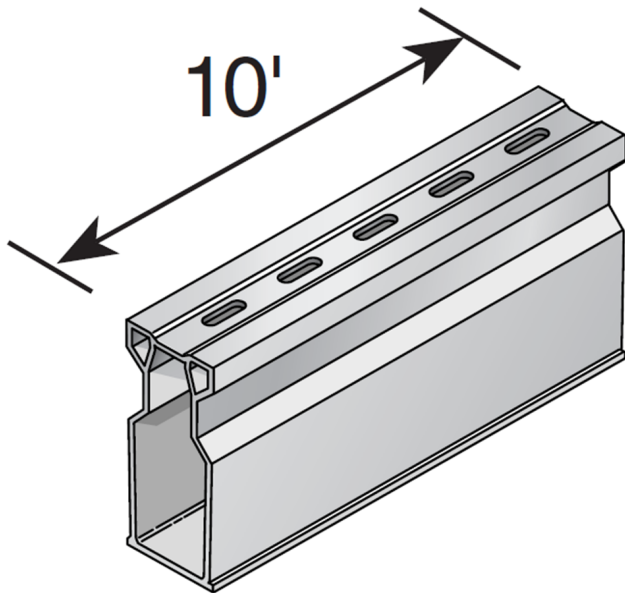
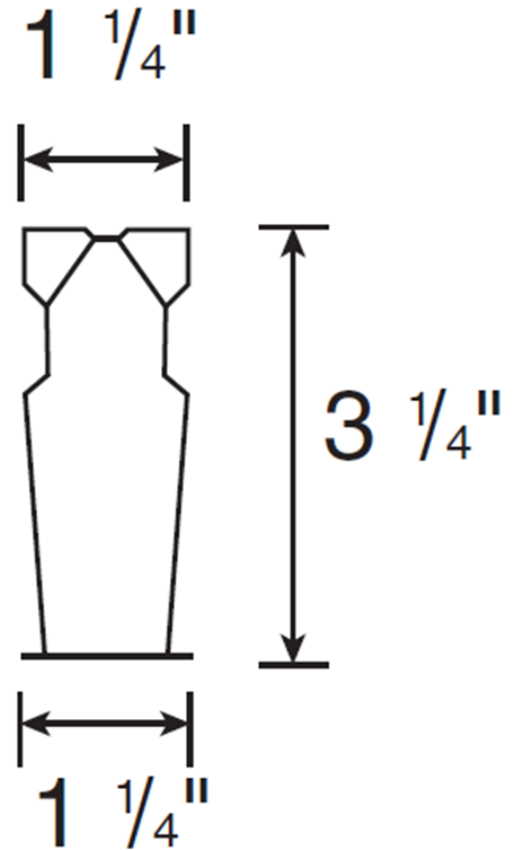


## Micro Channel



$\frac{3}{16}$ " x  $\frac{5}{8}$ " Grate Opening



Part #: 8001, 8002, and 8003

Material: PVC

Recessed reinforced grate with slops.

Color: #8001 (White), #8008 ( Sand), #8003 (Gray)

Fits: 1-1/2" Sch. 40 Spigot End Outlet, requires end, side, or bottom outlet.

Grate Opening:  $\frac{3}{16}$ " x  $\frac{5}{8}$ "

Open Surface Area: 1 Sq. Inches per foot

Head Pressure / Flow Rate:

Head (inches) - Max Flow

1" = 4.33 GPM

0.5" = 3.06 GPM

Weight Per 10 Foot Section = 5.1 lbs.

UV Inhibitors

ADA Compliant/Heel-proof

### ADA Compliance

NDS provides a wide selection of grates that are compliant with the Americans with Disabilities Act. The ADA Accessibility Guidelines For Buildings and Facilities Section 4.5.4 specifies that ground and floor grates "shall have spaces no greater than 1/2 in (13 mm) wide in one direction."

We are pleased to provide grates that comply with these requirements, so that no individual need be limited from accessing the area safely and confidently.

To see if a grate is ADA compliant, please check the description of the product in our [NDS Drainage Catalog](#): products that meet these requirements are marked "ADA compliant."

Like to find out more about ADA compliance and NDS? Send us your question and we'd be happy to help.

