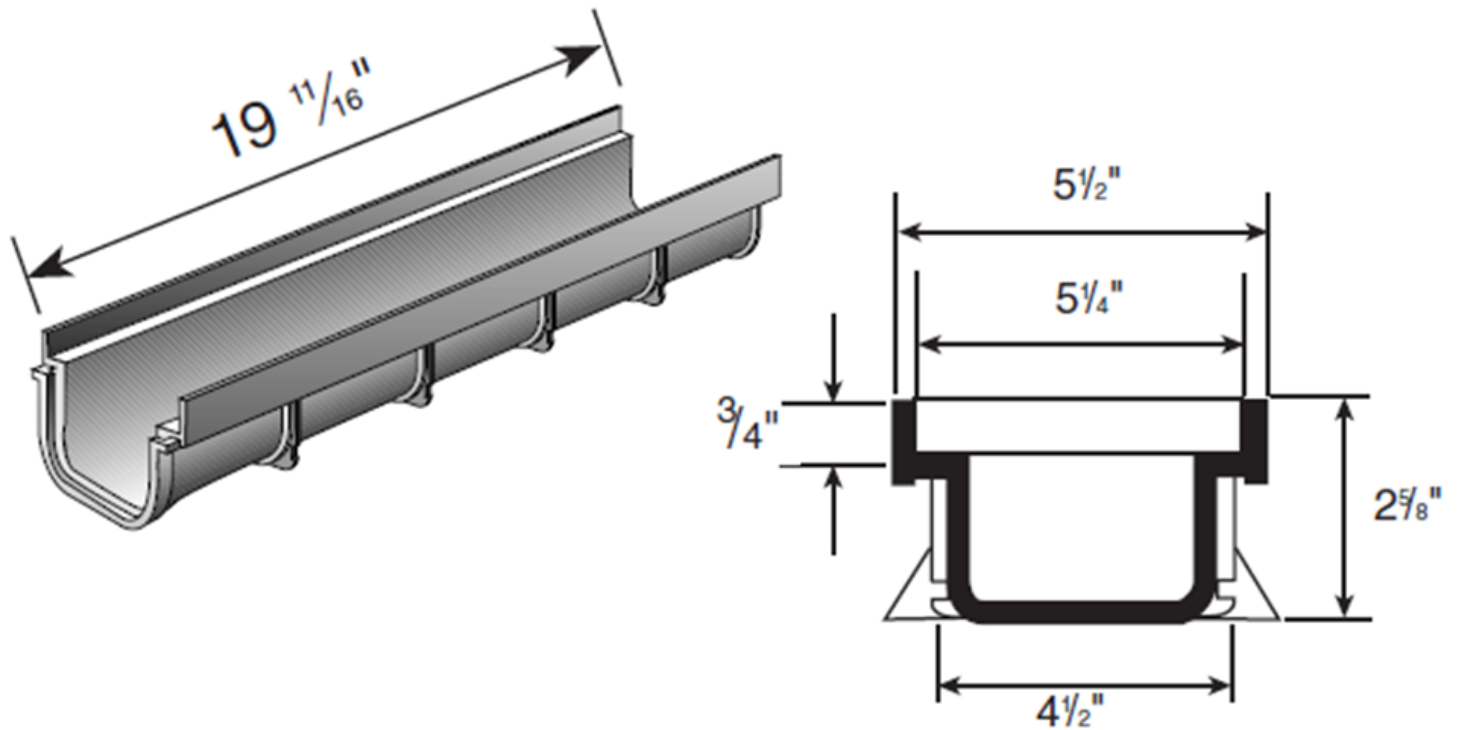


5" x 20" Shallow Profile Channel



Part #: 820

Material: Protected High Impact PVC

Color: Light Gray

Mechanical Interlocking Joints

Use with 5" Pro Series Grates (2 grates per channel),

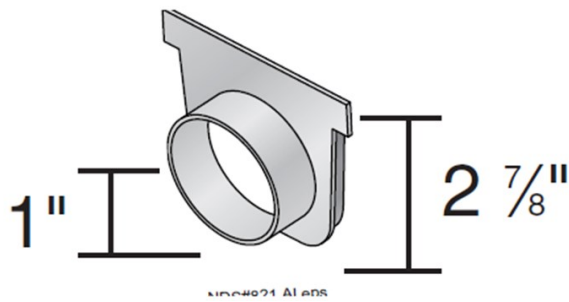
Cap/Outlet (#821).

Fits: 1-1/2" Sch. 40 Pipe (Spigot) with Part# 821 outlet.

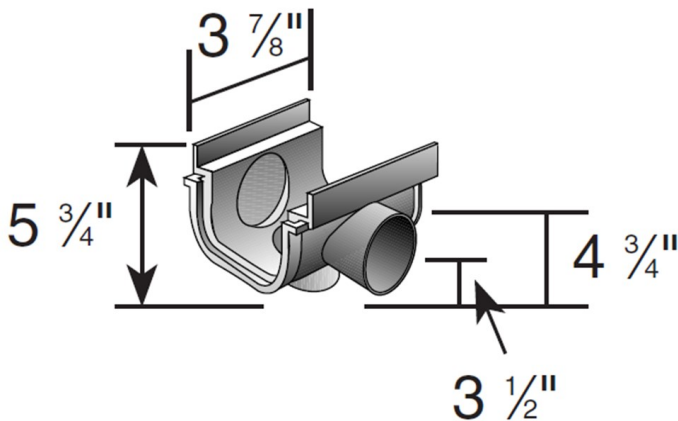
Weight Per Each: 1.35 lbs. per each.

UV inhibitor

5" x 20" Shallow Profile Channel Accessories



Part No.	Description	Color	Qty.	(lbs.)	Class	Specifications
821	5" Shallow Profile End Cap/ 1-1/2" SCH 40 SPT Knock Out End Outlet*	Light Gray	10	0.15	25IN	NDS #821, 5" Wide Shallow Profile high impact PVC End Cap/End Outlet.



Part No.	Description	Color	Qty.	(lbs.)	Class	Specifications
822	5" Shallow Profile 3" S&D SPT Bottom Outlet/ 1-1/2" SCH 40 SPT Side Outlet	Light Gray	10	0.60	25IN	NDS #822, 5" Wide Shallow Profile high impact PVC Bottom/Side Outlet.