



Our new QuickPad™ mounting pad with support base makes installation and mounting of Strong Box® enclosures easier than ever. No concrete is needed.

The mounting pad has our unique fastening system that allows for easy, secure attachment of the pad to the support base and the enclosure to the pad.

Together, the heavy-duty pad, support base and a Strong Box® enclosure form a complete unit that is secure, stable and vandal resistant.

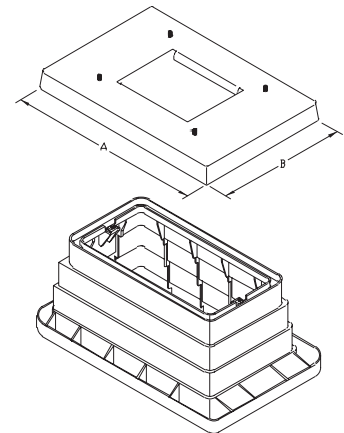
The buried support base provides added stability and security for the entire assembly.

All mounting hardware is stainless steel to prevent corrosion and rust.

Patent No 6,321,928.

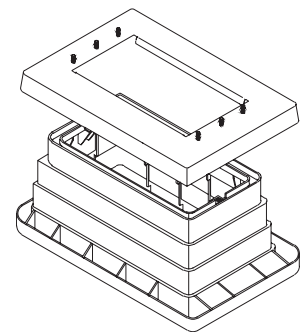
QuickPad for Strong Box® Controller Enclosures

		DIMENSIONS	
		A	B
QP-16	QuickPad for SB-16	28.5" Wide, 18.5" Deep	
QP-18	QuickPad for SB-18	28.5" Wide, 18.5" Deep	
QP-18D	QuickPad for SB-18D	28.5" Wide, 28.5" Deep	
QP-22	QuickPad for SB-22	28.5" Wide, 28.5" Deep	
QP-24	QuickPad for SB-24	28.5" Wide, 18.5" Deep	
QP-24D	QuickPad for SB-24D	28.5" Wide, 28.5" Deep	
QP-M	QuickPad for Metered Enclosure	28.5" Wide, 28.5" Deep	
QP-LD16	QuickPad for Light Duty Cabinets LD-16	28.5" Wide, 18.5" Deep	
QP-CSP	QuickPad for CSP-Meters	28.5" Wide, 18.5" Deep	
QP-MPE	QuickPad for MPE-Meters	32" Wide, 25" Deep	
QP-MPS	QuickPad for MPS-Meters	32" Wide, 25" Deep	



QuickPad for Strong Box® Backflow Enclosures

		DIMENSIONS	
		A	B
QP-22BF	QuickPad for SBBC-22 Series	28.5" Wide, 19" Deep	
QP-20BF	QuickPad for SBBC-20 Series	32" Wide, 19" Deep	
QP-30BF	QuickPad for SBBC-30 Series	32" Wide, 19" Deep	
QP-45BF	QuickPad for SBBC-45 Series	49" Wide, 19" Deep	



SPECIFICATION ON PAGE 40