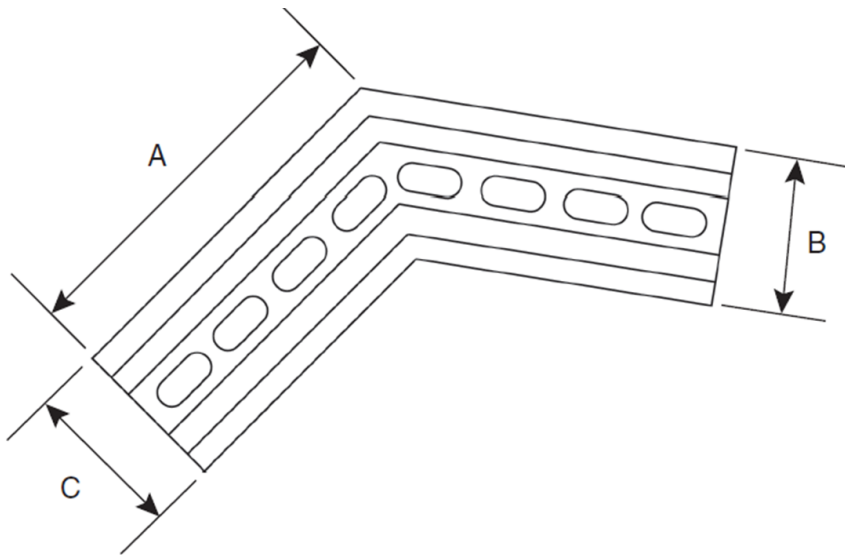


## Micro Channel 45° Elbow



### Dimension Key

- A: Length of channel before bend
- B: Outer width of top channel
- C: Width of the bottom of the channel

Part Number	A	B	C
8301	3"	1.25	1 1/4
8302	3"	1.25	1 1/4
8303	3"	1.25	1 1/4

### Load Recommendation Guide



#### Class A

- Loads of 1-60 psi.
- Recommended for pedestrians, bicycles and wheel chair traffic.

Part #: 8001, 8002, and 8003

Material: PVC

Recessed reinforced grate with slots.

Color: #8001 (White), #8008 ( Sand), #8003 (Gray)

Fits: 1-1/2" Sch. 40 Spigot End Outlet, requires end, side, or bottom outlet.

Grate Opening: 3/16" x 5/8"

Open Surface Area: 1 Sq. Inches per foot

Head Pressure / Flow Rate:

Head (inches) - Max Flow

1" = 4.30 GPM

0.5" = 3.06 GPM

UV Inhibitors

Weight Per Each: 0.30 lbs.

## ADA Compliant/Heel-proof

### ADA Compliance

NDS provides a wide selection of grates that are compliant with the Americans with Disabilities Act. The ADA Accessibility Guidelines For Buildings and Facilities Section 4.5.4 specifies that ground and floor grates "shall have spaces no greater than 1/2 in (13 mm) wide in one direction."

We are pleased to provide grates that comply with these requirements, so that no individual need be limited from accessing the area safely and confidently.

To see if a grate is ADA compliant, please check the description of the product in our [NDS Drainage Catalog](#): products that meet these requirements are marked "ADA compliant."

Like to find out more about ADA compliance and NDS? Send us your question and we'd be happy to help.

