

MYERS® Quick Prime Self-Priming Centrifugal Pump

The Quick Prime self-priming centrifugal pump is designed for demanding jobs where a lot of water is required over a long period of time. For lawn and garden sprinkling, car washing, or other big cleaning and maintenance jobs, it's built for one purpose only – continuous high performance service. Not for use with corrosive chemicals or flammable liquids.

APPLICATIONS

■ **Water systems...** lawn and gardening sprinkling, car washing, or other big cleaning and maintenance jobs

SPECIFICATIONS

- High tensile gray iron pump case and motor bracket
- Square rubber sealing rings
- Proven thermoset diffuser
- Engineered composite impeller
- Carbon/ceramic shaft seal



FEATURES

Ruggedly Built – To meet the demands for long, hard continuous service without over-working or overloading the motor.

Manufactured – To precise performance specifications.

Impellers – Corrosion resistant for long life.

Simply Design – Powerful, efficient operation and easy servicing.

Proper Impeller Alignment – For smooth, quiet running.

Unique Diffuser Design – For quick automatic prime. No additional water needed for repriming after installation.

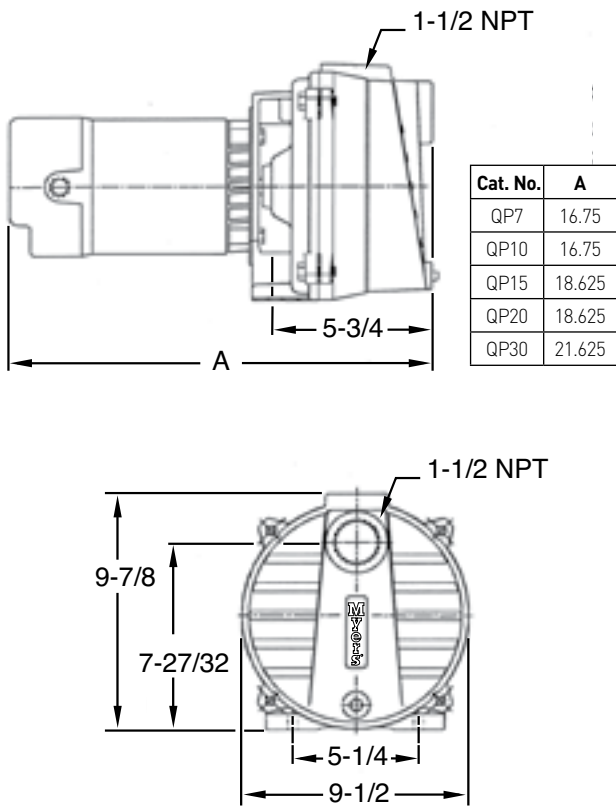
Common Brackets – Cases and gaskets on all sizes... simplified parts selection.

ORDERING INFORMATION

| Catalog Number | | HP | Pipe Sizes | | Maximum Total Shut-Off Hd. | | 1 and 3 Ø Approx. Wt. Lbs. |
|----------------|---------|-------|------------|--------|----------------------------|------|-------------------------------|
| 1 Phase | 3 Phase | | Suct. | Disch. | Feet | PSI | |
| QP7 | QP7-3 | 3/4 | 1-1/2" | 1-1/2" | 105 | 45.5 | 58 |
| QP10 | QP10-3 | 1 | 1-1/2" | 1-1/2" | 108 | 47 | 61 |
| QP15 | QP15-3 | 1-1/2 | 1-1/2" | 1-1/2" | 111 | 48 | 68 |
| QP20 | QP20-3 | 2 | 1-1/2" | 1-1/2" | 116 | 50 | 74 |
| QP30 | QP30-3 | 3 | 1-1/2" | 1-1/2" | 121 | 52 | 87 |

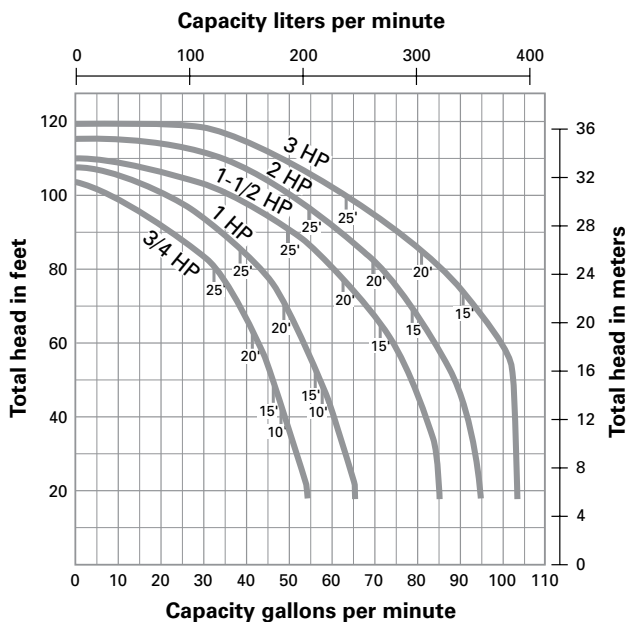
MYERS® Quick Prime Self-Priming Centrifugal Pump

OUTLINE DIMENSIONS



Dimensions (in inches) are for estimating purposes only.

PUMP PERFORMANCE



PUMP PERFORMANCE

| Catalog Number | | HP | Disch. Pressure PSI | Capacity in GPM for Discharge Pressure and Total Suction Lift Indicated | | | |
|----------------|---------|-------|---------------------|---|--------|--------|--------|
| 1 Phase | 3 Phase | | | 10 Ft. | 15 Ft. | 20 Ft. | 25 Ft. |
| QP7 | QP7-3 | 3/4 | 20 | 40.75 | 38.1 | 36.1 | 33.2 |
| | | | 25 | 35.75 | 33.5 | 30.9 | 27.5 |
| | | | 30 | 30.75 | 27.25 | 23.1 | 18 |
| | | | 35 | 21.5 | 15.1 | 8.5 | |
| | | | 40 | 6.5 | | | |
| QP10 | QP10-3 | 1 | 20 | 51.2 | 48.9 | 46.4 | 39.25 |
| | | | 25 | 46.2 | 43.5 | 40.6 | 37.4 |
| | | | 30 | 40.5 | 37.5 | 33.6 | 29.2 |
| | | | 35 | 33 | 27.6 | 20.6 | 10 |
| | | | 40 | 19 | 5 | | |
| QP15 | QP15-3 | 1-1/2 | 20 | 71.6 | 69.4 | 63.4 | 50.25 |
| | | | 25 | 66.5 | 62.5 | 58.75 | 50.25 |
| | | | 30 | 59.5 | 55 | 50.5 | 45 |
| | | | 35 | 50.5 | 43.6 | 37 | 24.9 |
| | | | 40 | 36.8 | 25.9 | | |
| QP20 | QP20-3 | 2 | 20 | 78.9 | 76.6 | 70.5 | 55.5 |
| | | | 25 | 74.6 | 71.5 | 67 | 55.5 |
| | | | 30 | 68.5 | 63.5 | 58.4 | 53 |
| | | | 35 | 58.5 | 52.9 | 47 | 40 |
| | | | 40 | 47.5 | 40.5 | 32.5 | |
| QP30 | QP30-3 | 3 | 20 | 93 | 91 | 82 | 64 |
| | | | 25 | 92.9 | 91 | 82 | 64 |
| | | | 30 | 89.8 | 85.5 | 78.6 | 64 |
| | | | 35 | 81 | 73.3 | 65.6 | 57 |
| | | | 40 | 67.9 | 59.1 | 48.5 | 37.5 |
| | | | 45 | 47.9 | 30 | | |

NOTE: Single phase units are dual voltage (115/230 volt) 2 and 3 HP are 230 volt only.

NOTE: All units are loaded within the motor service factor and are rated for continuous operation.

