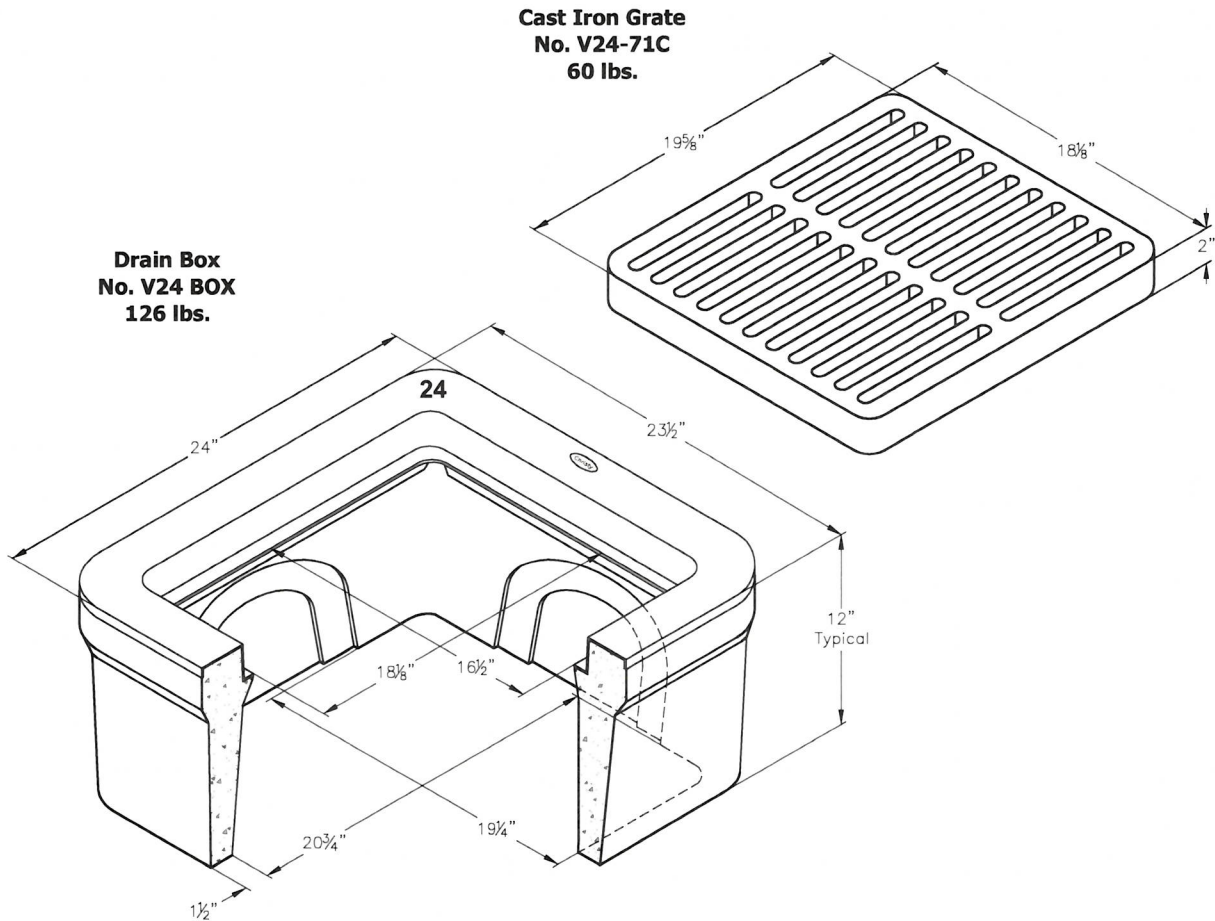


DRAINAGE ITEMS

- Etched polypropylene face
- Face anchored in concrete
- Ultra-violet inhibitor
- Exceeds ASTM-D1693 Standards for Environmental Stress Cracking Resistance



A curb type reinforced box for use in light drainage installations. Approximate dimensions and weight shown. Grates are light duty (non-traffic).

Oldcastle Ordering Code	Item	Approx. Shipping Weight	Description
B24BOX	BOX	126 lbs.	B24 Drain Box (20 ³ / ₄ " x 19 ¹ / ₄ ") - 12 per pallet
V24-71C	LID	60 lbs.	Cast Iron Grate
B24X12	EXTENSION	164 lbs.	12" Reinforced Concrete - 12 per pallet
B24SL	SLAB	87 lbs.	Reinforced Concrete Slab



V24 BOX

FILE NAME: V24_ISO

ISSUE DATE: January, 2011

V24 DRAIN BOX 20-3/4" x 19-1/4"

CHRISTY